

WOLFVISION[®]

**INSTALLATION MANUAL
MONTAGEANLEITUNG**

VZ-C3D



ENGLISH / DEUTSCH

Check out our Internet Homepage for additional information
www.wolfvision.com/support

Precautions

ENGLISH



WARNING!
Risk of electric shock
Dangerous voltage inside



CAUTION
Double pole / neutral fusing.
ATTENTION
Double pôle / fibre sur le neutre

Please observe the following:

CAUTION! INSTALLATION AND SERVICING OF THE VISUALIZER MUST BE PERFORMED BY QUALIFIED SERVICE/INSTALLATION PERSONNEL FOLLOWING THE MANUFACTURER'S INSTALLATION INSTRUCTIONS AND IN COMPLIANCE WITH THE NATIONAL ELECTRIC CODE, ALL LOCAL BUILDING AND SAFETY CODES AND ALL OTHER APPLICABLE CODE PROVISIONS OR REGULATIONS.

USE THIS UNIT ONLY WITH THE CORRECT VOLTAGE AS SHOWN ON THE TYPE LABEL !

DO NOT EXPOSE THE UNIT TO HEAT OR MOISTURE !

PROTECT THE UNIT FROM EXCESSIVE SHOCKS !

USE SECURITY ROPE TO PREVENT IT FROM FALLING DOWN !

Make sure that sufficient air circulation for cooling the unit is possible (ventilation slots on top of the unit)!

If there is any abnormality (abnormal noise, smell, smoke etc.) disconnect the unit from mains immediately and contact your Visualizer dealer!

Do not use a damaged power cord. This may cause short circuits or electrical shocks!

To prevent danger, do not modify the unit or operate without the cover panel firmly in place!

Do not expose the unit to water, metallic objects or any flammable material.

Avoid installing the unit in locations exposed to strong magnetic fields or electrical currents.

Avoid installing the unit in environments where there is radiation. This could cause monitor image distortion or damage to the camera sensor.

Do not pull the plug from the power socket with wet hands!

If the unit is not used for a long time, disconnect it from mains!

Precautions for LED light according EN62471:



LED lighting system - Do not stare into beam!

Do not modify the LED lighting system!

Do not view the light beam with optical instruments!

Ne pas regarder dans l'objectif lorsque le visualiseur est en marche!

Precautions for the laser pointer:

Laser light - Do not stare into beam!

Do not modify the laser! Do not view the laser beam with optical instruments!

Information for laser pointer

FDA accession number: 9912688-00

This device complies with 21 CFR 1040.10 and 1040.11



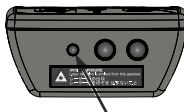
Technical data:

$\lambda = 635 - 680\text{nm}$

$P < 1\text{mW}$

$\Theta \leq 2\text{mrad}$

This label will be found on the underneath of the remote control.



The laser beam exits the remote control through the smaller (left) opening on the front.

Approval

Marks on the unit:



FCC information:

This device complies with part 15 of the FCC rules. Operation is subject to the following two conditions: (1) this device may not cause harmful interference, and (2) this device must accept any interference received, including interference that may cause undesired operation.

Note:

This equipment has been tested and found to comply with the limits for a class B digital device, pursuant to part 15 of the FCC rules.

Information to user:

The user manual or instruction manual for an intentional or unintentional radiator shall caution the user that changes or modifications not expressly approved by the party responsible for compliance could void the user's authority to operate the equipment.

This product is built according to Directive EMC and to Directive electrical equipment.
Inspections, tests and evaluation are according to UL 60950. CSA 22.22-60950
Inspections, tests and evaluation are according to the CB-Scheme
Inspections, tests and evaluation are according to the PCT-Scheme

Worldwide Patents

EU 0 362 737

DE P58907684.1-08

CN 89107780.4

JP 1725033

KR 128059

US 5,027,219

EU 0 987 874

JP 3 544 900

AU 765617

CN ZL99118847.0

and others

Copyright Information

Copyright © by WolfVision. All rights reserved.

WolfVision, Wofu Vision and 沃福视讯 are registered trademarks of WolfVision Holding AG, Austria.

No part of this document may be copied, reproduced, or transmitted by any means, without prior written permission from WolfVision. Except documentation kept by the purchaser for backup purposes.

In the interest of continuing product improvement, WolfVision reserves the right to change product specifications without notice.

Information in this document may change without notice.

Disclaimer: WolfVision shall not be liable for technical or editorial errors or omissions.

The units are "MADE IN EU/AUSTRIA"

Printed in Austria, August 2014

Symbol Legend



Attention

This symbol marks safety instruction procedures where a **High Risk of Personal Injury** is present. Be sure to read all directions very carefully and exercise extreme caution! Also be sure to follow proper health and safety rules in accordance with applicable local and federal laws.



Attention
Warning

This symbol marks instructions that require special attention in order to avoid possible **Equipment Damage**.

Safety Procedures

The Ceiling Visualizer is built with state-of-the-art technology and is safety engineered. Regardless of this, operational risks may be present if proper safety procedures are not obeyed.

It is essential that all safety and instruction procedures are read and followed accordingly!

- Store all operation manuals in an easily accessible area !
- The unit must be installed or repaired by authorized and certified personnel only !
- Always follow safety and operational procedures when working with the unit !
- Respect all warning and operation signs !
- Security features must not be disabled or removed !

Preparation

- 1.) Inspect the unit for any transport damage. In the event that damage is found, call your WolfVision dealer immediately and do not attempt installation of the Ceiling Visualizer !
- 2.) Confirm that all parts and accessories are present.



Read through the entire Installation Manual before beginning with the installation !

Ceiling Preparation

Due to the diverse installation possibilities of our ceiling mounting bracket, WolfVision kindly requires you to mount the appliance only on a concrete ceiling capable of carrying heavy load. Please study the following installation steps carefully. Should you encounter any problems (not covered in the installation instructions), please contact your WolfVision representative for assistance. Take special notice regarding the weight of the Ceiling Visualizer and the potential for personal injury, as well as the possibility for damage to the Ceiling Visualizer or other objects that may occur if proper mounting precautions are not followed !

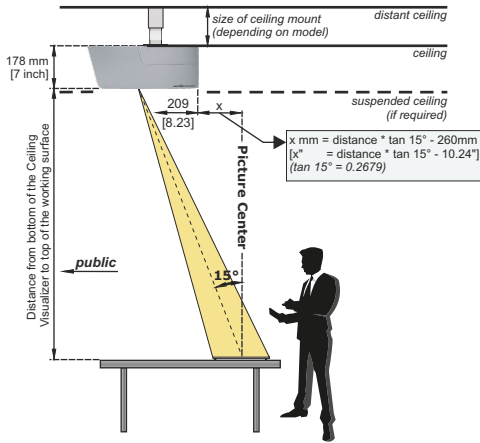


Failure to follow instructions can lead to severe injury!
To avoid possible injury, ensure that the ceiling construction is able to support five times the required Visualizer weight !

Installation Position

A difference between Ceiling- and "Desktop-"Visualizers is that the size of the smallest and largest image the unit can pick up is not fixed. This depends on how high above the working surface the Visualizer is mounted. **It is very important to know which image sizes you would like to pick up with the Ceiling Visualizer before installing the unit**, in order to correctly calculate the respective mounting height. Please refer to the calculation program on WolfVision's homepage (see page 5).

Distance to image center

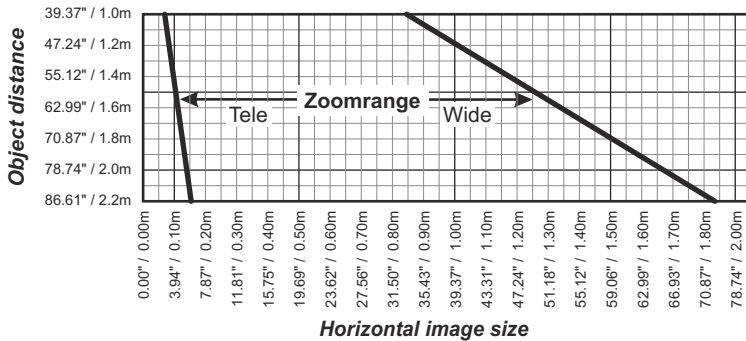


The table shows the distance which is called "x" in the illustration on the left side:

in mm	in mm	[in inches]	[in inches]
Distance Visualizer to working surface	Distance Visualizer-front to image center	Distance Visualizer to working surface	Distance Visualizer-front to image center
1,000	8	39	0.21
1,200	62	40	0.48
1,400	115	50	3.16
1,600	169	60	5.84
1,800	222	70	8.52
2,000	276	80	11.2
2,200	329	87	13.07

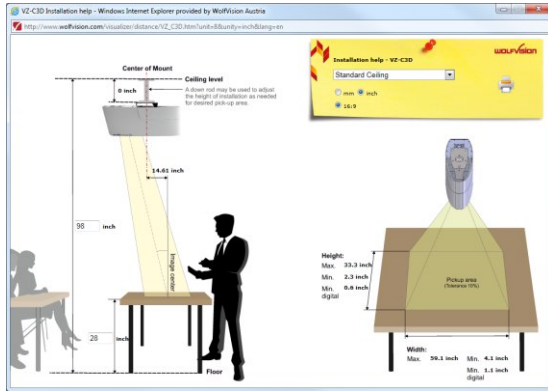
Picture Size Chart (Regular Distance From 1m to 2.2m / 39" to 87")

The following chart shows image size (optical zoom range) in relation to the mounting height:



Calculation program on WolfVision Homepage

A very useful method to calculate the exact positioning and the possible image sizes is a dedicated calculation program on WolfVision's homepage:



www.wolfvision.com (Support)

Installation of an Additional Ceiling Mount (third-party)

If the Visualizer needs to be suspended further from the ceiling than with the supplied ceiling mount (in order to allow greater magnification), a standard ceiling mount or ceiling lift for projectors may be used. An adapter plate, suitable for weight and screw fittings for the Visualizer, might be necessary.

Fixing the assembly to the ceiling is dependent on the respective construction and desired mounting location. Ensure that the ceiling construction is able to carry a weight of 26kg (58lbs) and that possible collision accidents are prevented.

Important: Please give special attention to the country specific regulations for training and conferencing rooms!



IMPORTANT: Ensure solid mounting and secure connection of all parts to avoid the possibility that the unit detaches itself from the ceiling.

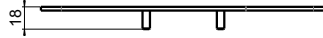
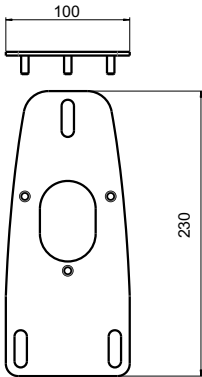
Installation in a Suspended Ceiling or Plenum Box

When the unit is built-in into the ceiling or into a plenum box, the infrared receiver may be covered. If the internal infrared receiver is insufficient, the supplied external infrared receiver should be connected to the "IR-SENSOR" port.

Alternatively, the unit can be controlled via LAN.

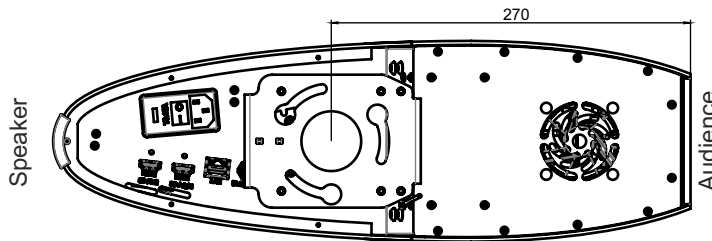
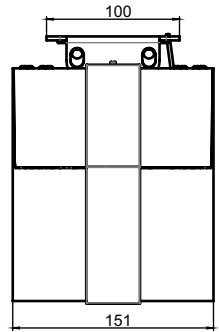
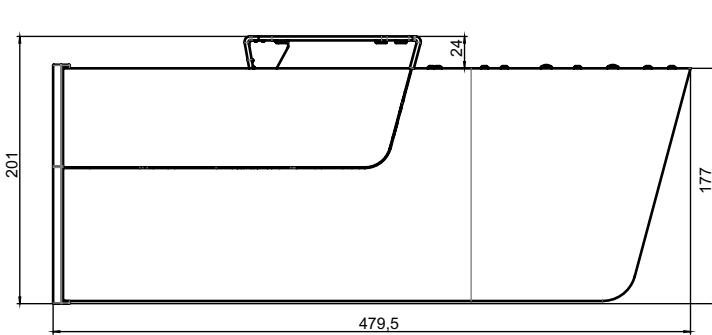
The Ceiling Visualizer is plenum rated and a plenum box is not necessary. However when the Ceiling Visualizer will be installed in a Plenum box keep enough clearance around to enable mechanical fine-adjustment of the Visualizer by moving and rotating.

Dimension of the Ceiling Mount Assembly (see list for dimensions in inches)



mm	Inch
18	0.709
24	0.945
100	3.937
151	5.945
177	6.969
201	7.913
230	9.055
270	10.630
479.5	18.878

Dimension of the Ceiling Visualizer (see list for dimensions in inches)



Installation in suspended ceilings:

For normal operation, only a hole in the ceiling panel for camera and light is required. Everything else may be covered. The unit only needs to be accessed in the event it may require service.



IMPORTANT

Sufficient ventilation is to be provided, otherwise it can result in damage to the equipment.

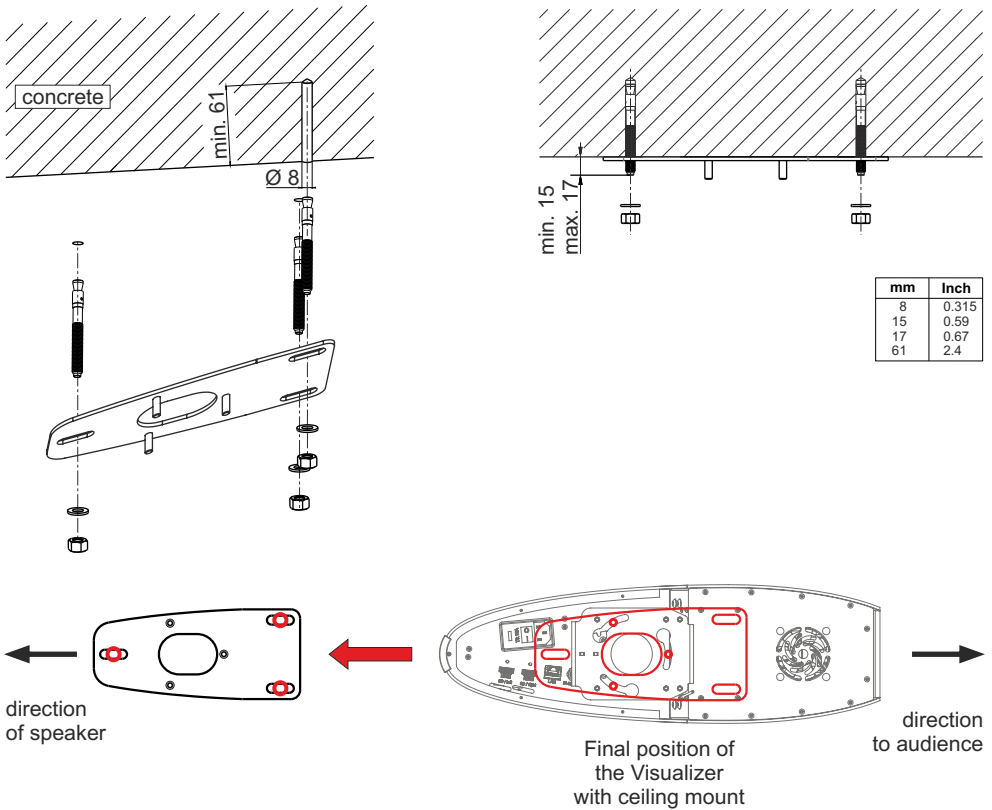
Technical Specifications are Subject to Change!

Installation of WolfVision's Ceiling Mount

Mounting the Visualizer on the ceiling using WolfVision's ceiling mount can be done very quickly and easily.

IMPORTANT!

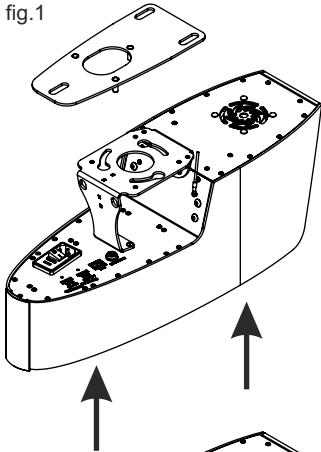
The ceiling mount must be affixed directly to concrete with three steel anchors as illustrated, to ensure a secure mounting and operation of the Visualizer! Ensure that the ceiling construction is able to carry a weight of **26kg (58lbs)** and that possible collision accidents are prevented.



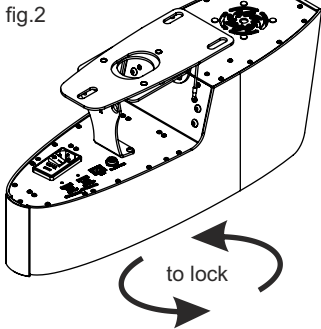
IMPORTANT: Please give special attention to the country specific regulations for training and conferencing rooms.



IMPORTANT: Ensure solid mounting and secure connection of all parts to avoid the possibility that the unit detaches itself from the ceiling.

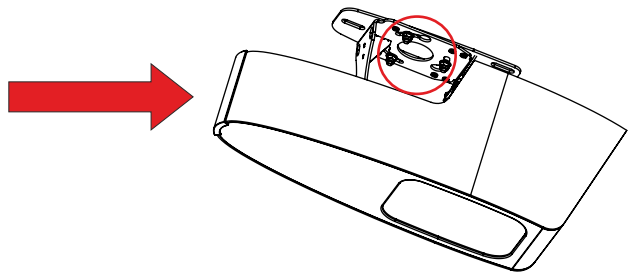
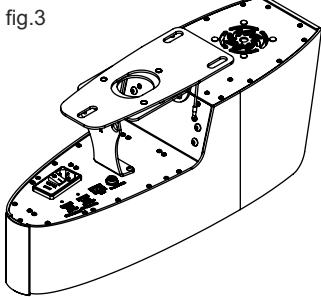


In order to fix the assembly to the ceiling, please hold the Ceiling Visualizer to the ceiling mount (fig.1), attach it and turn the unit counter-clockwise to the desired position (fig.2). The unit is now installed **only temporarily**. The installation is not finished yet!



Now, remove the cable cover by pushing it carefully upwards and connect all desired cables to the Visualizer. The cable cover is secured to the Visualizer by a rope to prevent it dropping down. Tighten all three hex nuts at the ceiling to secure the Visualizer (fig.3) (for fine adjustment see next page). Firmly place the cable cover in position.

Note: cable cover is not shown in the drawings to improve readability.

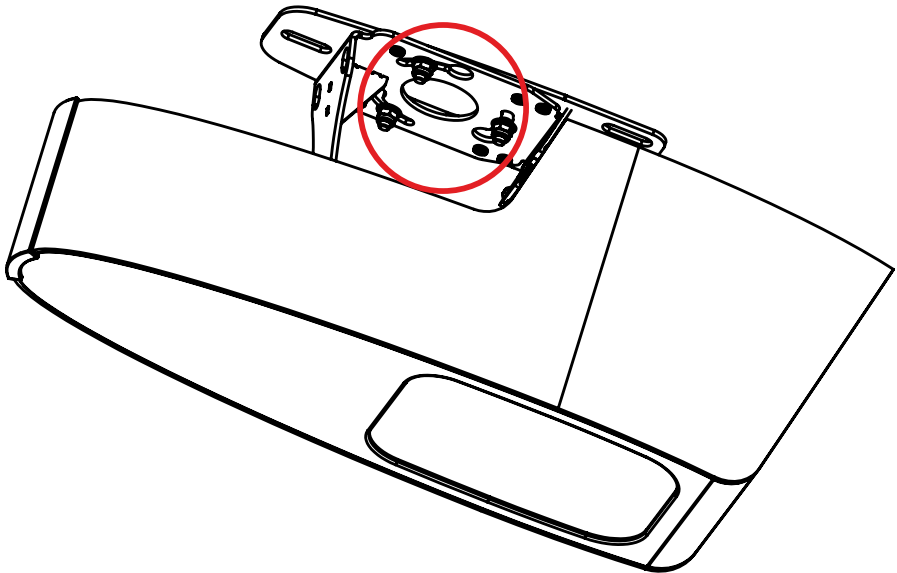
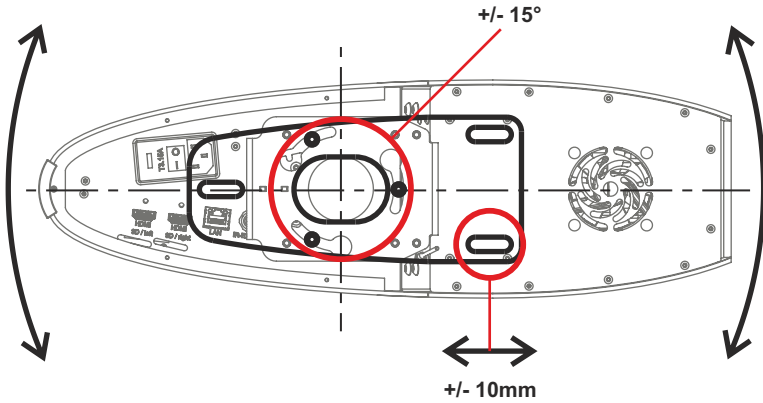


LIMITATION OF WARRANTY!

WOLFVISION MAKES NO EXPRESS OR IMPLIED WARRANTY, STATUTORY OR OTHERWISE, CONCERNING THE PRODUCT, INCLUDING WITHOUT LIMITATION ANY WARRANTY OF FITNESS FOR A PARTICULAR PURPOSE OR ANY WARRANTY OF MERCHANTABILITY. IN NO EVENT SHALL WOLFVISION BE LIABLE TO ANY PERSON FOR ANY CONSEQUENTIAL, INDIRECT EXEMPLARY, SPECIAL OR PUNITIVE DAMAGES OR DAMAGES FOR LOST PROFITS. WOLFVISION SHALL IN NO EVENT BECOME LIABLE FOR ANY DAMAGES ARISING OUT OF OR IN CONNECTION WITH A FAULTY INSTALLATION DUE TO (1) THE USE OF INAPPROPRIATE MOUNTING PARTS, (2) MOUNTING THE CEILING MOUNT TO A CEILING WHICH DOES NOT PROVIDE A SUFFICIENTLY SECURE SUPPORT OR (3) ANY OTHER FAULTY WORKMANSHIP.

The Visualizer can be finely-adjusted if necessary.

By loosening all three hex nuts the unit can be turned by 15 degrees to the left or right (please make sure that all three hex nuts are tightened after re-adjustment). The Visualizer can also be moved backwards or forwards $\pm 10\text{mm}$ (0.39") by loosening the three mounting plate hex nuts on the steel anchors (please make sure that the mounting plate hex nuts are tightened again after re-adjustment).



Operating the Visualizer for the first time

1. Connect power cord to the unit (#13) and to mains.
(all cables can be hidden by pulling them through the ceiling mount).
2. Connect a monitor or video projector to the HDMI output
To select the proper output mode, please read the user manual!
3. Turn the main switch on the unit (#12) to "I" (Power LED must illuminate)
4. By default, the Visualizer will be fully powered-up when mains is supplied.
When the default behavior is changed by the user, press the POWER key (#29) on the remote control.

Quick Setup Guide

When the Visualizer is switched on the first time, the Quick Setup Guide will be started automatically on-screen (visible on HDMI output). Use the arrow keys to navigate through the menu.

Language

Select the desired language for the on-screen menu.

Height Adjustment

It is only necessary to conduct the Height Adjustment procedure once, unless the distance between the Visualizer and working surface is changed.

For usual installations, WolfVision recommends to use the function "Auto Height Adjustment". Should the unit be unable to adjust itself (e.g. bright ambient light), please use the "Manual Height Adjustment" instead. The Height Adjustment procedure can be repeated at any time. Just enter the on-screen menu and select Advanced Settings / Height Adjustment.

Ethernet Settings

The IP-address, Subnet Mask and Gateway IP-address can be set automatically by a DHCP-server or manually.

Power Settings

The cameras of the Visualizer can be optimized to 50Hz or 60Hz mains frequency to reduce flickering.

Time Settings

The Visualizer offers the possibility to use the internal clock or an external time server (a time valid time server IP address and internet connection are required).

Auto Height Adjustment

Preparation

Center the adjustment chart to the pick-up area and follow the further instructions on-screen.

Once the settings are correct, confirm it to complete the Height Adjustment Function. If the settings are incorrect, re-do the Height Adjustment or perform manual adjustment.

Manual Height Adjustment

Preparation

Center the adjustment chart to the pick-up area and adjust the VERGENCE until the vertical lines of left and right channel are matching together - vertical lines should result in one line.

Follow the further instructions on-screen.

"Step 1: Center the Lightfield"

Center the lightfield until it is roughly in the center of the camera picture. Use the arrow buttons (#17) to center the lightfield. Confirm the setting by pressing the OK key (#28).

"Step 2: Adjust Camera Focus"

Use the FOCUS keys (#22) until a sharp image is visible. Confirm the setting by pressing the OK key (#28).

"Step 3: Adjust Light Focus"

With the FOCUS key (#22), you can focus the edge of the lightfield that is visible on the working surface until it is sharp. Again, confirm the setting by pressing the OK key (#28).

"Step 4: Center lightfield"

With the arrow buttons you can center the lightfield to pick-up area of the camera. When the lightfield is centered, press the OK key (#28) to complete the setting procedure and exit the Height Adjustment mode.

Dismantling of the Visualizer

Should it be required to dismantle the Ceiling Visualizer due to re-location or after sales service, please follow the drawings below.

Push the cable cover carefully upwards and disconnect all cables from the Visualizer. The cable cover is secured to the Visualizer by a rope to prevent it dropping down.

Loosen all three hex nuts at the ceiling mount to release the Visualizer (fig.4).

Turn the Visualizer clockwise to loosen it from the ceiling mount (fig.5) and remove it from the ceiling mount.

Please take into consideration the weight of the unit (5.2 kg / 11.5 lbs) when detaching it from the ceiling. Prevent dropping down of the unit!

When needed, loosen all three hex nuts from the steel anchors at the ceiling mount to remove the mount.

fig.4

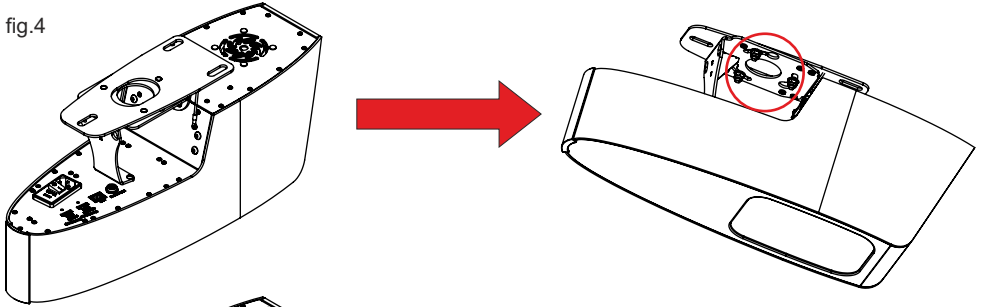


fig.5

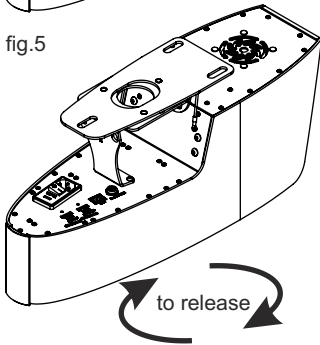
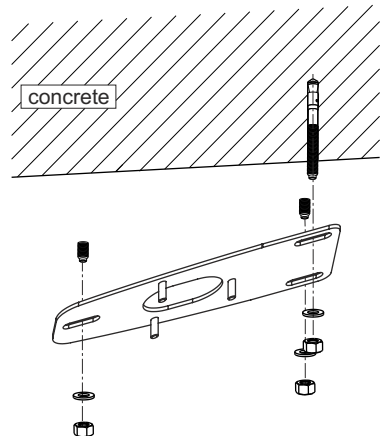
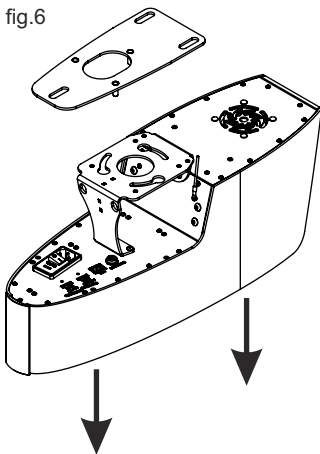


fig.6



Note: cable cover is not shown in the drawings to improve readability.

Vorsichtsmaßnahmen

DEUTSCH



WARNUNG!

Elektroschockrisiko
gefährliche Spannungen
im Geräteinneren



VORSICHT

Doppelpolig / Neutral Absicherung

Angeführte Vorsichtsmaßnahmen unbedingt beachten:

DAS GERÄT DARF NUR VON AUTORISIERTEN UND GESCHULTEN FACHKRÄFTEN NACH LOKAL GÜLTIGEN SICHERHEITSVORSCHRIFTEN MONTIERT UND GEWARTET WERDEN.

DAS GERÄT NUR MIT DER AUF DEM TYPENSCHILD ANGEgebenEN SPANNUNG BETREIBEN !

DAS GERÄT VOR HITZE UND FEUCHTIGKEIT SCHÜTZEN !

DAS GERÄT VOR ERSCHÜTTERUNG SCHÜTZEN !

Bitte darauf achten, dass eine ausreichende Luftzirkulation zur Kühlung des Gerätes möglich ist (Lüftungsschlitze oben unbedingt freihalten)!

Bei jeder Art von Störungsanzeichen (abnormale Geräusche, Geruch, Rauchentwicklung, etc.) das Gerät abschalten. Setzen Sie sich bitte in solchen Fällen umgehend mit Ihrem Visualizer-Händler in Verbindung!

Niemals ein beschädigtes Netzkabel verwenden. Andernfalls kann es zu Kurzschlüssen und zu elektrischen Schlägen kommen!

Am Gerät keinerlei Umbauten vornehmen und das Gerät niemals ohne Gehäusedeckel in Betrieb nehmen!

Keine entflammaren oder metallischen Gegenstände oder Flüssigkeiten in das Geräteinnere dringen lassen!

Das Gerät nicht im Bereich von starken Magnetfeldern und elektrischen Feldern in Betrieb nehmen!

Das Gerät nicht im Wirkungsbereich von Röntgenstrahlung betreiben. Dadurch können Teile der Kamera beschädigt werden.

Das Netzkabel und den Netzstecker niemals mit feuchten Händen berühren!

Das Gerät bei längerer Nichtbenutzung vom Netz trennen (Hauptschalter)!

Vorsichtsmaßnahmen für die LED-Beleuchtung nach EN62471:



LED-Beleuchtungssystem - Nicht direkt den Lichtstrahl blicken!

LED-Beleuchtungssystem nicht modifizieren!

Lichtstrahl nicht mit optischen Instrumenten betrachten!

Vorsichtsmaßnahmen für den Laserpointer:

Laserstrahlen - Nicht direkt den Laserstrahl blicken!

Laser nicht modifizieren! Laserstrahl nicht mit optischen Instrumenten betrachten!

Information für den Laserpointer

FDA Zugriffsnummer: 9912688-00

Entspricht den Vorschriften 21 CFR 1040.10 und 1040.11



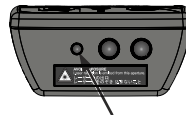
Technische Daten:

$\lambda = 635 - 680\text{nm}$

$P < 1\text{mW}$

$\Theta \leq 2\text{mrad}$

Dieser Aufkleber befindet sich auf der Unterseite der Fernbedienung.



Die kleinere Öffnung (links) an der Frontseite der Fernbedienung ist die Laserstrahl-Austrittsöffnung.

Symbol- und Hinweiserklärung



Vorsicht

Dieses Symbol finden Sie bei allen Sicherheitshinweisen, bei denen **große Gefahr für Personen** besteht. Beachten Sie diese Hinweise und verhalten Sie sich sehr vorsichtig! Außerdem müssen die geltenden Gesetze und allgemeingültigen Sicherheits- und Unfallverhütungsvorschriften beachtet werden.



Achtung
Warnung

Steht bei Hinweisen, Vorschriften und Arbeitsabläufen, die besonders zu beachten sind, damit **Sachbeschädigungen verhindert** werden.

Sicherheitshinweise

Der Decken Visualizer ist nach dem aktuellsten Stand der Technik gebaut und betriebssicher. Trotzdem können von diesen Geräten Gefahren ausgehen, wenn sie unsachgemäß oder nicht bestimmungsgemäß eingesetzt werden. Daher sollten Sie **unbedingt die Betriebsanleitung des Gerätes, sowie die darin enthaltenen Sicherheitshinweise lesen und genau beachten!**

- Die Betriebsanleitung zugänglich aufbewahren!
- Das Gerät darf nur von autorisierten und geschulten Fachkräften montiert oder repariert werden!
- Für den Betrieb des Gerätes gelten in jedem Fall die örtlichen Sicherheits- und Unfallverhütungsvorschriften. Diese sind zu beachten und einzuhalten!
- Angebrachte Hinweis- und Warnschilder beachten!
- Sicherheitseinrichtungen dürfen nicht außer Betrieb gesetzt oder entfernt werden!

Vorbereitung

- 1.) Überprüfen Sie das Gerät bitte auf Transportschäden!
Sollte es zu einer Beschädigung gekommen sein, kontaktieren Sie Ihren Händler für weitere Schritte.
Stoppen Sie in diesem Fall die Installation des Visualizers!
- 2.) Überprüfen Sie alle Teile auf Ihre Vollständigkeit.



Lesen Sie die Installationshinweise durch, bevor Sie mit der Installation beginnen!

Vorbereitung der Decke

Aufgrund der breiten Palette von Installationsmöglichkeiten unseres Deckenhängers schreibt die Firma WolfVision vor die Montage nur an einer tragfähigen Betondecke durchzuführen. Lesen Sie bitte die folgenden Installationsschritte gründlich durch. Sollten Sie eine spezielle (nicht in der Installationsanleitung angeführte) Lösung benötigen, bitten wir Sie um Abklärung mit unseren Händlern. Berücksichtigen Sie das Gewicht des Decken Visualizers und das Potential für Personenschäden, aber auch die Möglichkeit von einer Beschädigung des Decken Visualizers und Einrichtungsgegenständen bei unsachgemäßer Montage!

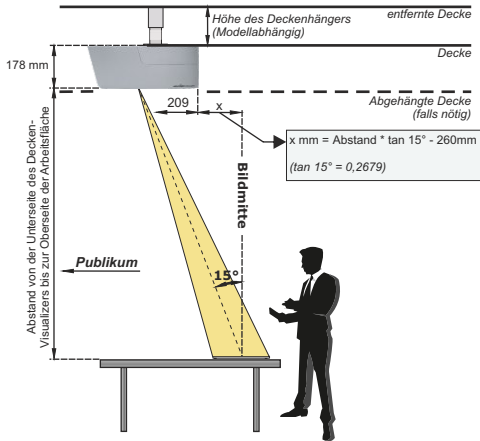


Unsachgemäße Installation kann zu schweren Verletzungen führen! Um solche Verletzungen zu verhindern, stellen Sie sicher, dass die Deckenkonstruktion mindestens das Fünffache des Gewichtes tragen kann, das sie nach der Installation halten muss!

Installationsposition

Ein Unterschied zu herkömmlichen Visualizer Modellen ist, dass die Abmessungen des kleinsten und größten Bildes, die das Gerät abtasten kann, nicht fix sind. Es hängt davon ab, wie hoch der Decken Visualizer über der Arbeitsfläche montiert wird. **Es muss daher unbedingt vor der Montage abgeklärt werden, welche Bildgrößen abgetastet werden sollen**, um zu entscheiden, in welcher Distanz zur Arbeitsfläche und auf welche Weise der Decken Visualizer montiert werden soll. Zur Berechnung verwenden Sie bitte das Rechenprogramm auf der WolfVision Homepage (*siehe Seite 5*).

Abstand Gerätefront zur Bildmitte

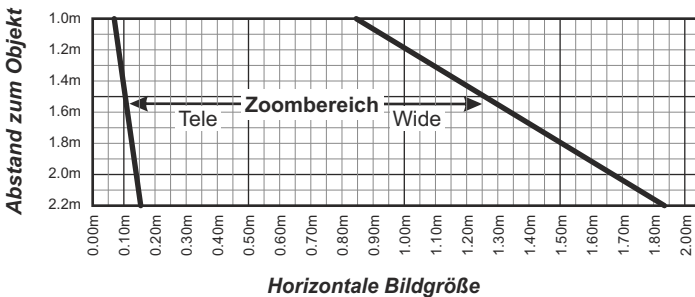


In der unten stehenden Tabelle wird der Abstand angegeben, der auf der Graphik rechts als "x" bezeichnet ist::

in mm	in mm
Abstand Visualizer Front zur Bildmitte	Abstand Visualizer zur Arbeitsfläche
1,000	8
1,200	62
1,400	115
1,600	169
1,800	222
2,000	276
2,200	329

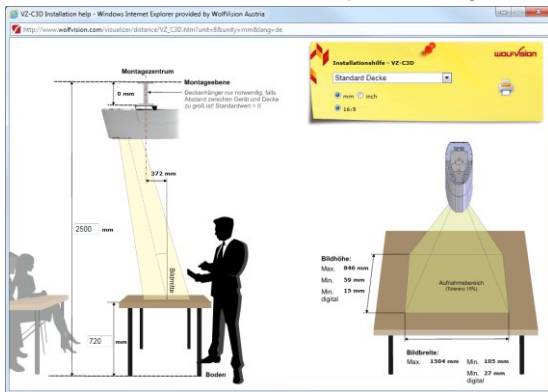
Bildgrößen Chart (Regulärer Abstand von 1m bis 2,2m)

Die folgende Tabelle zeigt den Zusammenhang zwischen der Montagehöhe und der Bildgröße (optischer Zoombereich):



Rechenprogramm auf WolfVision Homepage

Eine sehr komfortable Möglichkeit, die exakte Position und abtastbaren Bildgrößen des Decken Visualizers zu berechnen, bietet ein spezielles Programm auf der WolfVison Homepage:



www.wolfvision.com (Support)

Installation mit einem zusätzlichen Deckenhänger (Fremdhersteller)

In extrem hohen Räumen ist möglicherweise das kleinste Bild, welches das Gerät abtasten kann, nicht klein genug. In solchen Fällen kann der Visualizer mit einem Standard Deckenhänger oder Projektorlift weiter von der Decke abgehängt werden.

Die Fixierung an der Betondecke erfolgt durch die Anbringung des externen Deckenhängers und ist von den jeweiligen örtlichen Gegebenheiten abhängig. Sie muss in jedem Fall für eine **Tragfähigkeit von 26kg zuzüglich des Gewichts des externen Deckenhängers** ausgelegt sein um Unfälle durch Kollision auszuschließen!

Außerdem sind die länderspezifischen Bestimmungen für Schulungs- und Konferenzräume zu beachten!



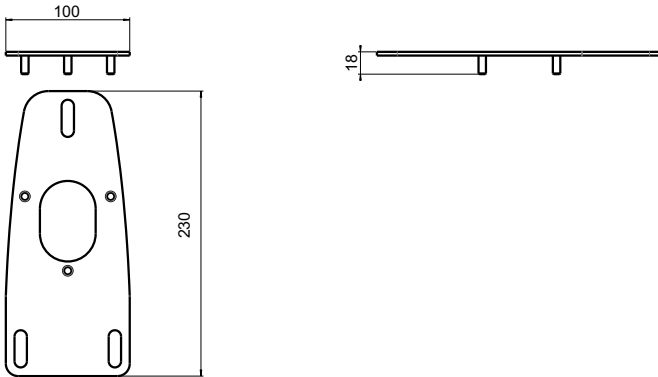
WICHTIG: Auf sichere Befestigung und Verschraubung achten, um das Herunterstürzen des Gerätes zu verhindern!

Einbau in abgehängte Decken oder in eine Plenum Box

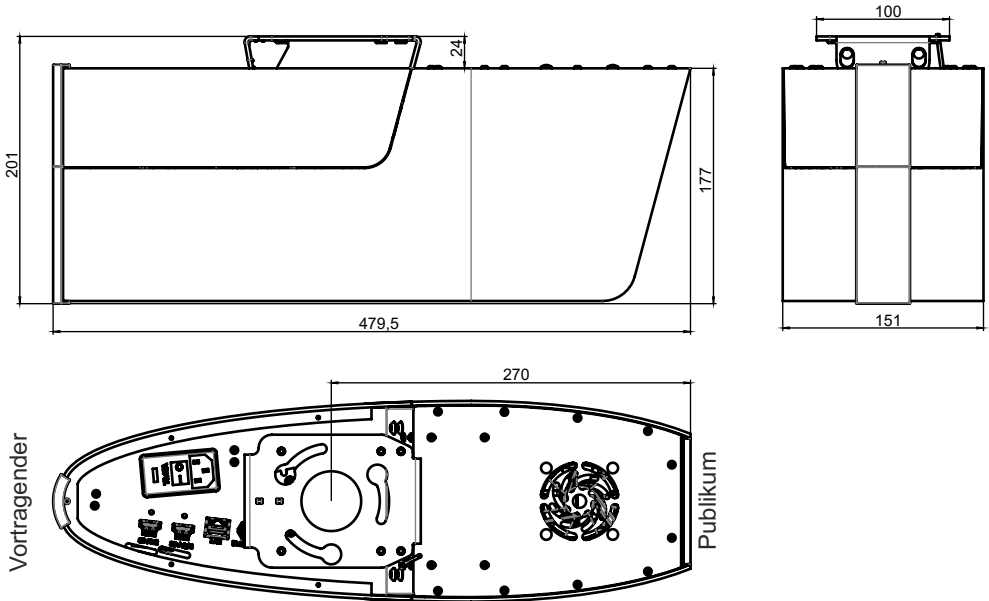
Beim Einbau in eine abgehängte Decke oder Plenum Box wird der eingebaute Infrarot-Empfänger möglicherweise abgedeckt. Wenn der Empfang des Infrarot-Empfänger nicht ausreicht, dann sollte der mitgelieferte externe Infrarot-Empfänger an die Buchse "IR-SENSOR" angeschlossen werden. Alternativ kann das Gerät auch über den LAN-Anschluss gesteuert werden.

Der Decken Visualizer ist Plenum rated und der Einbau in eine Plenum Box ist nicht nötig. Sollte der Visualizer trotzdem in eine Plenum Box eingebaut werden, so muss genügend Platz vorhanden sein um das Gerät justieren zu können.

Abmessungen des Deckenhängers



Abmessungen des Decken Visualizers



Einbau in abgehängte Decken:

Für den normalen Betrieb ist nur eine Ausnehmung für den Licht-/Bildauslass in der Decke erforderlich. Alles andere kann abgedeckt werden. Für Servicezwecke sollte das gesamte Gerät zugänglich sein.



WICHTIG

Für eine ausreichende Belüftung ist zu sorgen, andernfalls kann es zu einer Beschädigung des Gerätes kommen.

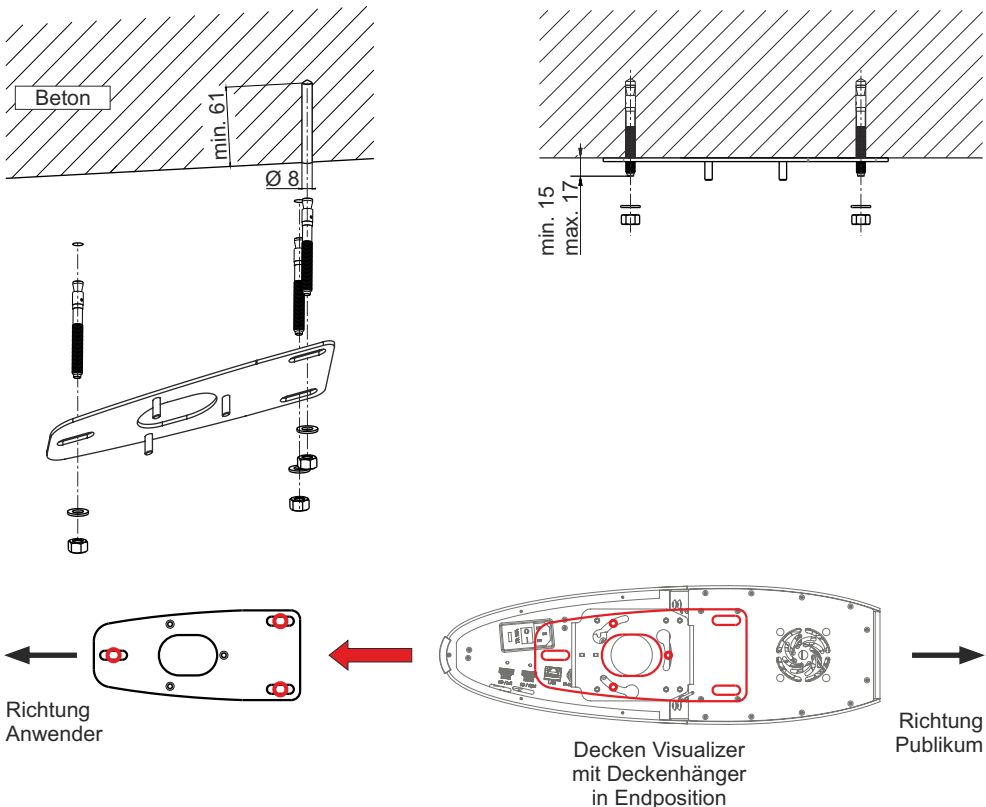
Deckenmontage mit dem WolfVision-Deckenhänger

Der Decken Visualizer lässt sich sehr schnell und komfortabel mit dem Deckenhänger von WolfVision an der Decke befestigen.

WICHTIG!

Die Fixierung an der Decke erfolgt durch die Anbringung des Deckenhängers an eine Betondecke. Montieren Sie den Deckenhänger an der Decke mit drei Stahlankern wie abgebildet.

Die Decke, an der der Visualizer montiert werden soll, muss in jedem Fall für eine **Tragfähigkeit von 26kg** ausgelegt sein um mögliches Herunterstürzen durch Kollision auszuschließen.

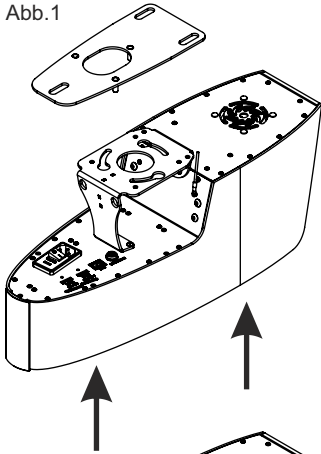


WICHTIG: Es sind die länderspezifischen Bestimmungen für Schulungs- und Konferenzräume zu beachten.



WICHTIG: Auf sichere Befestigung und Verschraubung achten, um ein Herabstürzen des Gerätes zu verhindern!

Abb.1



Der Decken Visualizer kann nun wie im Bild zuerst zum Deckenhänger geführt (Abb. 1) und anschließend gegen den Uhrzeigersinn an die gewünschte Position gedreht werden. Der Visualizer ist nun **provisorisch** fixiert werden, die Montage ist aber noch nicht beendet!

Nun die Kabelabdeckung durch vorsichtiges nach oben Schieben entfernen und dann alle gewünschten Kabel anschließen. Die Kabelabdeckung ist mit einem Stahlseil gegen herunterfallen gesichert.

Alle drei Hex-Muttern festziehen um den Visualizer zu sichern (Abb.1) (*Feinjustage siehe nächste Seite*). Kabelabdeckung vorsichtig aufsetzen.

Die Kabelabdeckung ist in den Illustrationen nicht dargestellt um die Übersichtlichkeit zu erhöhen.

Abb.2

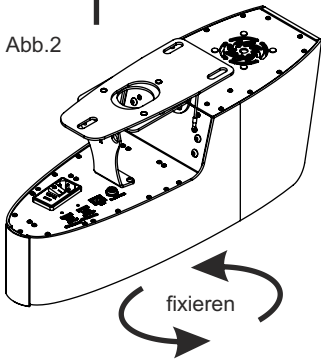
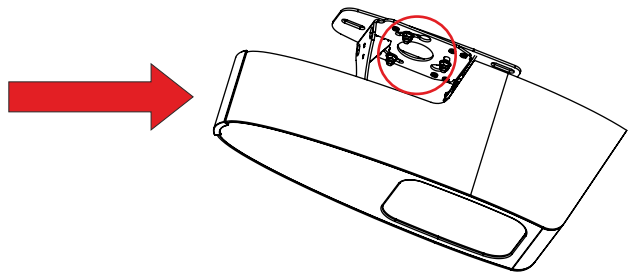
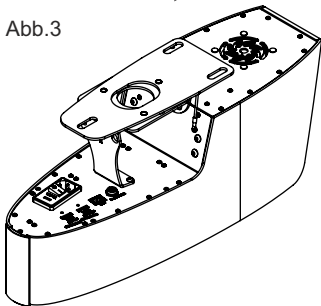


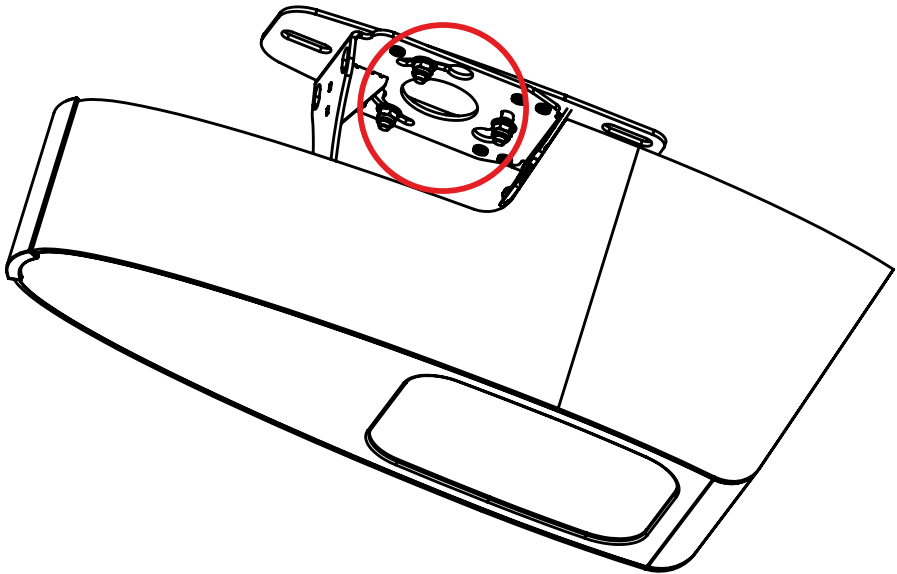
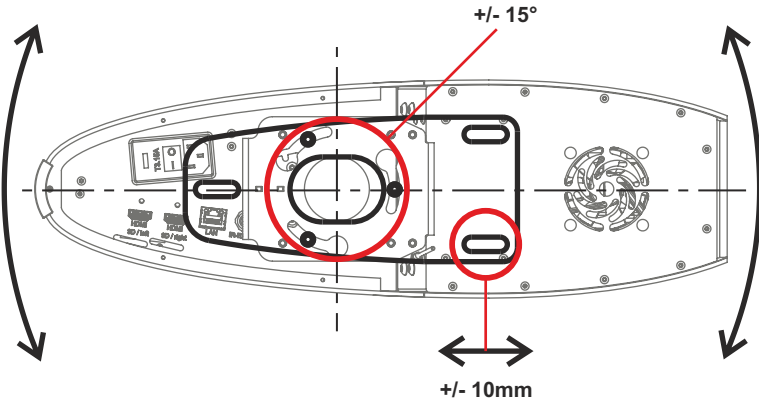
Abb.3



HAFTUNGSAUSSCHLUSS!

WolfVision übernimmt keine Haftung, wenn minderwertiges Material verwendet, eine nicht tragfähige Decke gewählt oder bei der Montage der Deckenbefestigung Fehler gemacht werden!

Der Visualizer kann, wenn nötig, noch feinjustiert werden.
Durch Lockern aller drei Hex-Muttern kann der Visualizer um 15° nach rechts oder links gedreht werden (alle Klemmmuttern anschließend wieder fixieren). Durch Lockern der drei Befestigungsmuttern an den Stahlankern zur Decke kann der Visualizer um +/- 10mm vor- oder zurückgesetzt werden (Befestigungsmuttern anschließend wieder fixieren).



Inbetriebnahme des Visualizers

1. Netzkabel am Gerät anstecken (#13) und am Netz anschließen.
(alle Kabel können versteckt werden indem sie durch den Deckenhänger hindurch geführt werden).
2. Monitor oder Projektor am HDMI Ausgang anschließen
Zur Wahl des richtigen Ausgabemodi lesen Sie bitte die Bedienungsanleitung!
3. Hauptnetzschalter (#12) am Gerät auf "I" schalten (Power LED leuchtet)
4. Bei Standardeinstellung startet der Visualizer automatisch sobald das Stromkabel angeschlossen wird.
Bei geänderter Standardeinstellung den Visualizer mit der POWER Taste (#29) einschalten.

Setup Assistent - Grundlegende Menüeinstellungen (Quick Setup Guide)

Beim ersten Einschalten des Visualizers startet der Setup Assistent automatisch (On-Screen Menü am HDMI Ausgang). Navigieren Sie mit den Pfeil Tasten durch dieses Menü.

Sprache (Language)

Wählen Sie die gewünschte Sprache für das On-Screen Menü.

Höheneinstellung (Height Adjustment)

Diese Einstellung ist nur einmalig vorzunehmen - bei der Installation des Gerätes, außer der Abstand zwischen Visualizer und Arbeitsfläche wird verändert.

Für die meisten Installationen empfiehlt WolfVision die Funktion „Automatischer Höhenabgleich“. Sollte der Visualizer die Justage nicht zufriedenstellend ausführen können (z.B. sehr helles Umgebungslicht), so benutzen Sie bitte den manuellen Höhenabgleich stattdessen. Die Höheneinstellung kann jederzeit wiederholt werden (On-Screen Menü unter: Erweiterte Einstellungen / Höhen Einstellung)..

Netzwerk Einstellungen (Ethernet Settings)

Die IP-Adresse, Subnetzmaske und die Gateway IP-Adresse kann von einem DHCP-Server automatisch bezogen oder manuell gesetzt werden.

Einschaltverhalten

Die Kameras des Visualizers können auf die Netzfrequenz (50Hz / 60Hz) optimiert werden um ein Bildflackern zu reduzieren.

Zeit Einstellung (Time Settings)

Der Visualizer hat eine eingebaute Uhr bietet aber auch die Möglichkeit der Verwendung eines externen TimeServers (Voraussetzungen: gültige TimeServer IP-Adresse und eine Internetverbindung).

Automatischer Höhenabgleich (Auto Height Adjustment)

Vorbereitung

Einstellblatt auf das Bild (Aufnahmebereich) zentrieren und den On-Screen Anweisungen folgen.

Sobald der Abgleich beendet wurde, muss er bestätigt werden. Wiederholen Sie den Abgleich wenn das Ergebnis nicht zufriedenstellend sein sollte, oder führen Sie den manuellen Abgleich durch.

Manueller Höhenabgleich (Manual Height Adjustment)

Vorbereitung

Einstellblatt auf das Bild (Aufnahmebereich) zentrieren und die Konvergenz einstellen bis die vertikalen Linien des linken und rechten Bildkanales übereinander liegen - sollte in einer vertikalen Linie resultieren.

Folgen Sie den weiteren On-Screen Anweisungen.

“Schritt 1: Lichtfeld Zentrum”

Zentrieren Sie das Lichtfeld bis es im Zentrum des Kamerabildes ist (Grobeinstellung). Benützen Sie die Pfeil-Tasten (#17) um das Lichtfeld zu zentrieren. Anschließend mit der OK Taste (#28) bestätigen.

“Schritt 2: Kamera Fokus”

Mit den FOCUS Tasten (#22) das Bild scharf stellen. Anschließend mit der OK Taste (#17) bestätigen.

“Schritt 3: Licht Fokus”

Mit den FOCUS Tasten (#22) den Rand des Lichtfeldes, welches Sie auf der Arbeitsplatte sehen, scharfstellen. Anschließend mit der OK Taste (#17) bestätigen..

“Schritt 4: Center lightfield”

Zentrieren Sie das Lichtfeld mit den Pfeil-Tasten (#17) bis es im Zentrum des Kamerabildes ist (Feineinstellung). Anschließend mit der OK Taste (#28) bestätigen um das Menü zu beenden.

Demontage des Decken Visualizers

Sollte es aufgrund eines Umzugs oder Servicefalles nötig sein, den Decken Visualizer zu demontieren, dann gehen Sie bitte Schritt für Schritt folgende Anleitung durch:

Kabelabdeckung vorsichtig nach oben schieben und abnehmen und dann alle Kabel vom Visualizer abstecken. Die Abdeckung ist mit einem Stahlseil gegen herunterfallen gesichert.

Alle drei Hex-Muttern lösen (Abb.4).

Visualizer im Uhrzeigersinn drehen (Abb.5) und vom Deckenhänger abnehmen.

Achten Sie auf das Gewicht von 5,2kg beim Abnehmen des Visualizers. Absturz des Gerätes vermeiden!

Wenn nötig, der Deckenhänger kann nach entfernen der drei Hex-Muttern der Stahlanker entfernt werden.

Abb.4

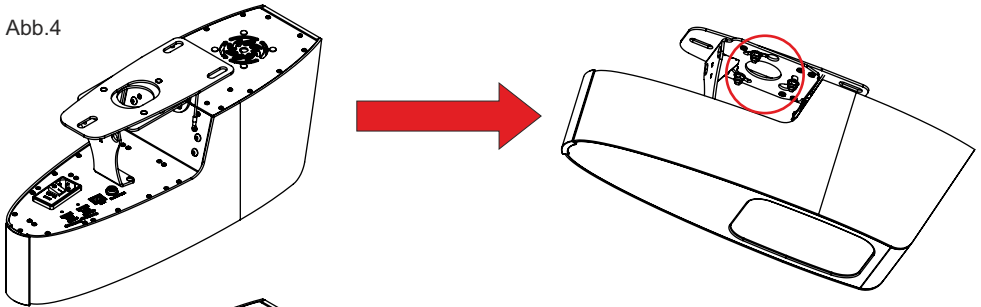


Abb.5

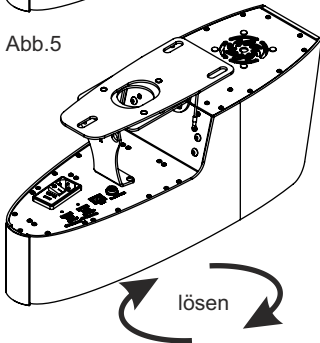
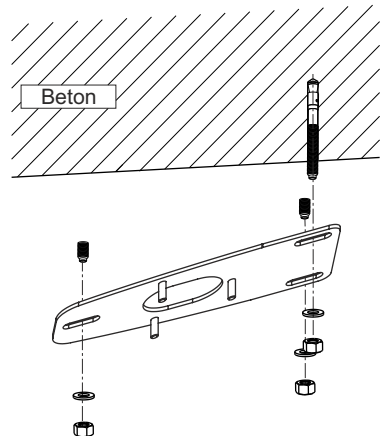
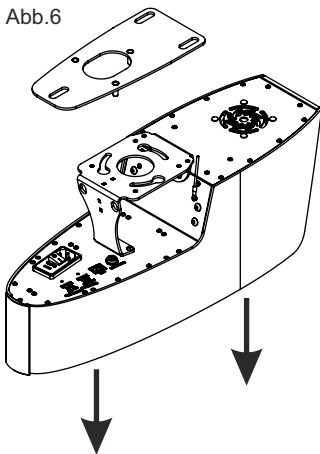


Abb.6



Die Kabelabdeckung ist in den Illustrationen nicht dargestellt um die Übersichtlichkeit zu erhöhen.

CONTACTS

Manufacturer / Worldwide Distribution

WolfVision GmbH

A-6833 Klaus Tel: +43(5523)-52250, Fax: +43(5523)-52249
AUSTRIA E-Mail: wolfvision@wolfvision.com

International Distribution Offices

USA

WolfVision Inc.

Duluth Tel: +1(770)931-6802, Toll free: 877-873-WOLF, Fax: +1(770)931-6906
(Atlanta) E-Mail: sales@wolfvision.us / support@wolfvision.us

Asia

WolfVision Pte Ltd

Singapore Tel: +65-6636-1268, Fax: +65-6636-1269
E-mail: wolfvision.asia@wolfvision.net

Middle East

WolfVision Middle East

Dubai Tel: +971 (04) 354 2233, Fax: +971 (04) 354 2244
E-Mail: middle.east@wolfvision.net

Germany

WolfVision Germany

Tel: 0800 / 98 28 787 (Toll Free for Germany)
E-mail: wolfvision.deutschland@wolfvision.com

Japan

WolfVision Co. Ltd.

Tokyo Tel: +81(0)3-6233-9465, Fax: +81(0)3-6233-9466
E-mail: wolfvision.japan@wolfvision.com

Canada

WolfVision Canada, Inc.

Ottawa Tel: +1(613)741-9898, Toll free: 877-513-2002, Fax: +1(613)741-3747
E-Mail: wolfvision.canada@wolfvision.com

United Kingdom

WolfVision UK Ltd.

M Maidenhead Tel: +44 1628 509067, Fax: +44 1628 509100
E-Mail: wolfvision.uk@wolfvision.com

Internet Homepage: www.wolfvision.com
E-Mail to technical support: support@wolfvision.com