

WOLFVISION[®]

**INSTRUCTIONS
BEDIENUNGSANLEITUNG**
VZ-C12² / VZ-C32



ENGLISH / DEUTSCH

Check out our Internet Homepage for additional information
www.wolfvision.com/support

Precautions

ENGLISH



WARNING!
Risk of electric shock
Dangerous voltage inside



Please observe the following:

CAUTION! INSTALLATION AND SERVICING OF THE VISUALIZER MUST BE PERFORMED BY QUALIFIED SERVICE/INSTALLATION PERSONNEL FOLLOWING THE MANUFACTURER'S INSTALLATION INSTRUCTIONS AND IN COMPLIANCE WITH THE NATIONAL ELECTRIC CODE, ALL LOCAL BUILDING AND SAFETY CODES AND ALL OTHER APPLICABLE CODE PROVISIONS OR REGULATIONS.

PINCH POINT! MOVING FOLDING MECHANISM CAN CRUSH FINGERS. KEEP HANDS CLEAR. LOCKOUT BEFORE SERVICING.

USE THIS UNIT ONLY WITH THE CORRECT VOLTAGE AS SHOWN ON THE TYPE LABEL !

DO NOT EXPOSE THE UNIT TO HEAT OR MOISTURE !

PROTECT THE UNIT FROM EXCESSIVE SHOCKS !

Make sure that sufficient air circulation for cooling the unit is possible (ventilation slots on the left and right side of the unit)!

If there is any abnormality (abnormal noise, smell, smoke etc.) disconnect the unit from mains immediately and contact your Visualizer dealer!

Do not use a damaged power cord.
This may cause short circuits or electrical shocks!

To prevent danger, do not modify the unit or operate without the cover panel firmly in place!

Do not expose the unit to water, metallic objects or any flammable material.

Avoid installing the unit in locations exposed to strong magnetic fields or electrical currents.

Avoid installing the unit in environments where there is radiation.
This could cause monitor image distortion or damage to the CCD camera.

Do not pull the plug from the power socket with wet hands!

If the unit is not used for a long time, disconnect it from mains!

Precautions for laser pointer:

Laser information

FDA accession number:
9912688-00

This device complies with
21 CFR 1040.10 and 1040.11



Approval

Marks on the unit:



FCC information:

This device complies with part 15 of the FCC rules. Operation is subject to the following two conditions: (1) this device may not cause harmful interference, and (2) this device must accept any interference received, including interference that may cause undesired operation.

Note:

This equipment has been tested and found to comply with the limits for a class B digital device, pursuant to part 15 of the FCC rules.

Information to user:

The user manual or instruction manual for an intentional or unintentional radiator shall caution the user that changes or modifications not expressly approved by the party responsible for compliance could void the user's authority to operate the equipment.

This product is built according to Directive EMC and to Directive electrical equipment. Inspections, tests and evaluation are according to UL 60950. CSA 22.22-60950
Inspections, tests and evaluation are according to the CB-Scheme
Inspections, tests and evaluation are according to the PCT-Scheme

Worldwide Patents

EU 0 362 737
DE P58907684.1-08
CN 89107780.4
JP 1725033

KR 128059
US 5,027,219
EU 0 987 874
JP 3 544 900

AU 765617
CN ZL99118847.0
and others

Copyright Information

Copyright © by WolfVision. All rights reserved.

WolfVision, Wofu Vision and 沃福视讯 are registered trademarks of WolfVision Holding AG, Austria.

No part of this document may be copied, reproduced, or transmitted by any means, without prior written permission from WolfVision. Except documentation kept by the purchaser for backup purposes.

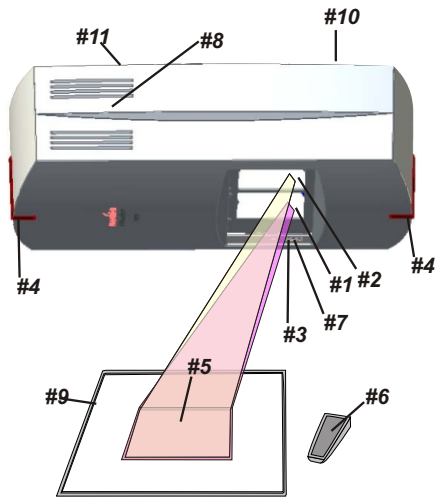
In the interest of continuing product improvement, WolfVision reserves the right to change product specifications without notice.

Information in this document may change without notice.

Disclaimer: WolfVision shall not be liable for technical or editorial errors or omissions.

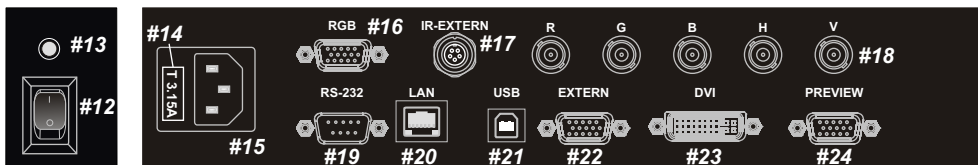
The units are "MADE IN EU/AUSTRIA"

Printed in Austria, November 2008



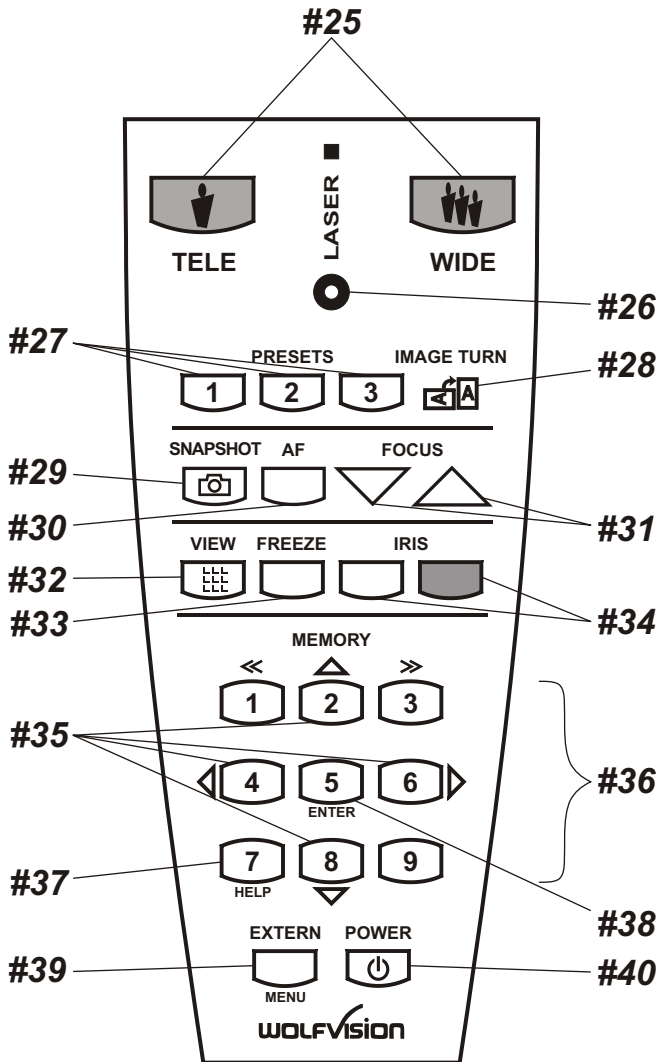
- #1 Mirror for light**
(behind the glass cover)
- #2 Mirror for camera**
(behind the glass cover)
- #3 Infrared-sensor (1x bottom)**
- #4 Infrared-sensor (2x side)**
- #5 Synchronized lightfield**
- #6 Infrared Remote Control**
- #7 Main power switch and power indication LED** (as shown below)
- #8 Air extraction, ventilation** (on both sides)
- #9 Working surface**
- #10 Connectors** (as shown below)
- #11 Lamp exchange cover** (see page 18)

Connectors (#10) and Main Switch (#7)



- #12 Main Power Switch** beside the glass cover
- #13 Power Indication-LED** beside the glass cover
- #14 Fuses** (see page 17)
- #15 Power Connection**
- #16 RGB output** (see page 14)
- #17 IR-EXTERN** input for additional IR-sensor (see page 15)
- #18 RGB output, BNC connectors** (see page 14)
- #19 RS-232 serial control input** (see page 13)
- #20 LAN 10/100 TBase** (see page 13)
- #21 USB port to Host** (see page 13)
- #22 External Input** for Computer RGB-signals (see page 12)
- #23 DVI output** (see pages 14 and 15)
- #24 PREVIEW RGB output** (see page 14)

Infrared Remote Control (#6)



#25 ZOOM keys

Using the ZOOM keys also switches auto iris on again.

#26 LASER POINTER key

Important: Do not stare directly into the laser beam.
This is hazardous for your eyes!

#27 PRESET keys (programmable settings)

For storing a preset, press one of the PRESET keys for more than 2 seconds. For recalling a preset, press the PRESET key quickly (see page 9).

#38 IMAGE TURN mode key

For picking up vertical (portrait) pages with higher resolution (see page 12).

#29 SNAP SHOT key

Pressing this key activates the SNAPSHOT function (see page 11).

#30 ONE PUSH AUTO FOCUS (AF) key

Pressing this key performs an One Push Auto Focus (see page 9).

#31 Manual FOCUS keys

For focusing the picture.

By pressing both FOCUS keys an on-push autofocus will be performed (see page 9).

#32 VIEW key

For displaying all 9 pictures of the memory as split image (see page 11).

#33 FREEZE key

Freezes the current image (see page 11).

#34 Manual IRIS keys (brightness adjustment)

When the IRIS keys are pressed, the Visualizer switches off the auto iris function. The next time the ZOOM keys are used the auto iris is switched on again (see page 9).

*For specialists: The behaviour of the iris can be changed in the on-screen menu (see page 16).
The overall iris level can be changed in the on-screen menu (see page 16).*

#35 SELECT keys (MEMORY keys 2, 4, 6 and 8)

For navigating through the on-screen menu (see page 16).

#36 MEMORY keys 1 - 9

For saving and recalling pictures (see page 11).

#37 HELP/RESET key for on-screen menu (double function of Memory keys)

While you are in the on-screen menu you can activate the on-screen help by pressing the HELP key. Pressing this key for 2 seconds resets the selected menu item (see page 16).

#38 ENTER key (double function of Memory keys)

Same function as the right SELECT key (MEMORY key No. 6).

#39 EXTERN key / MENU key

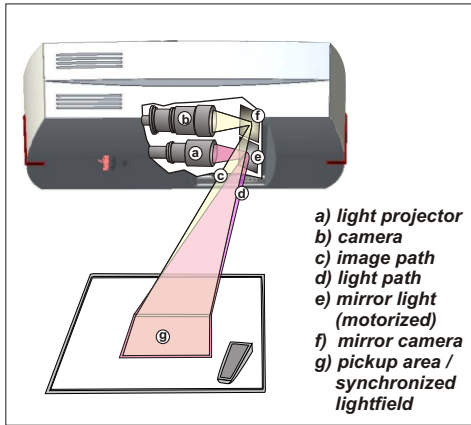
Switches between Visualizer image and external input (for more details - see page 12).
Pressing EXTERN key for 1 second activates the on-screen menu (see page 16).

#40 POWER key

Pressing this key switches the unit on and off.

When switching on the unit, the Visualizer runs the power-on preset.

How The Visualizer Works



A **light projector (a)** inside the unit projects a **lightfield (g)** the same size as the pick-up area of the built-in camera via the **mirror (e)** onto the working surface. The image is recorded by the **camera (b)** using the same path via the **mirror (f)**.

The lenses of the **light projector (a)** and the **camera (b)** are synchronized. Thus the size of the light field on the working surface changes when the user changes the zoom range of the camera.

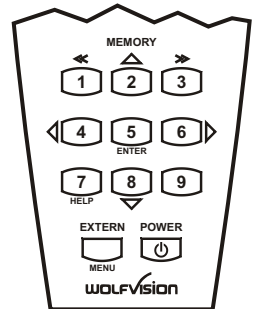
This scanning and illumination system is a worldwide patent from WolfVision.

Basic Preparations

1. Connect the power cable to the unit (#15) and plug it in
2. If you would like to use a control monitor, connect it to the PREVIEW RGB output (#24)
3. Connect a large viewing monitor or a projector to one of the outputs of the Visualizer

For choosing the right output mode please see page 14!

4. Turn the main power switch (#12) on the unit to "I".
The power indication LED on the unit is illuminated red to indicate that power is supplied.
5. Press the POWER key (#40) on the remote control
The Visualizer now runs the "power-on preset" .



Power-on preset:

The automatic setting of zooming to an middle zoom position (pick-up size depends on mounting height of the Visualizer), focus on the working surface level and the auto iris are activated. As soon as the Power Indication LED is green and stays illuminated, you can start working with the Visualizer. The behavior of the unit as soon as power is supplied or after the POWER key has been pressed can be changed in the unit's on-screen menu (see page 16).

The Unit Is Switched On The First Time

When the unit is turned on for the first time, the Height Adjustment starts automatically. The Ceiling Visualizer is pre-set to a distance of 2 m (78.76"). In most installations the installation height will be different to this, so the following adjustments must be performed:

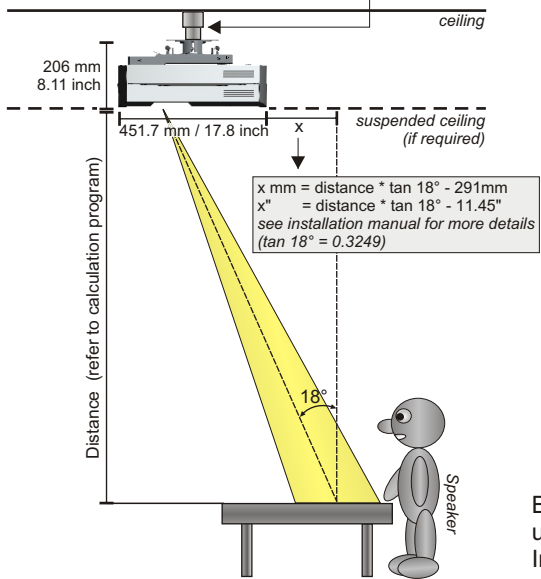
1. Adjustment of camera and light focus
2. Alignment of lightfield and camera field

NOTE: This is a one time setup, which must only be performed again if the distance between the Visualizer and table is changed! - **more details in the installation manual**

Installation

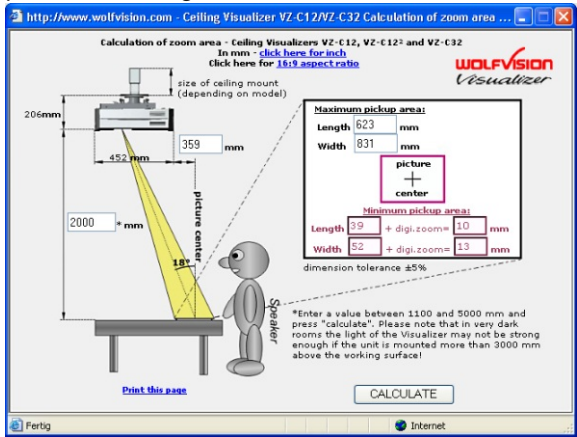
Please read first the Installation Manual before fixing the assembly to the room ceiling. The size of the smallest and largest image that the unit can pick up is not fixed. It depends on the distance between the working surface and the bottom of the Visualizer. The tables in the installation manual show the relationship between mounting height and pick-up sizes:

In extremely high rooms the smallest image the unit can pick-up may not be small enough. In such cases a standard ceiling mount or projector-lift can be used to suspend the Ceiling Visualizer further from the ceiling.



Before deinstallation the unit please read first the Installation Manual!

Use the calculation program on WolfVision's internet homepage to calculate the exact position and image sizes :



The distance is measured from the bottom of the Ceiling Visualizer to the working surface. These figures may vary a little in reality, because the position of the focus influences the size. Masking of the monitor or projector should also be taken into consideration (i.e. some units cut off the edges of the picture). Theoretically larger distances than 4000mm (approx. 160") are possible, but the pick-up size would be too large and the light output too low.

www.wolfvision.com/wolf/indexdistance.html

Synchronized Lightfield

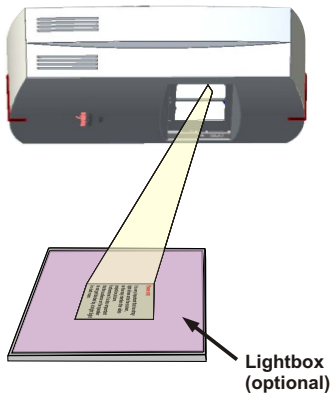
If the top light of the Visualizer is used (default) a synchronized lightfield always marks the pick-up area of the built-in camera on the working surface.

The alignment of this lightfield is made for working on the working surface.

Because of the oblique mounting of the camera and the light projector of the Visualizer, the lightfield shifts to the right when the distance between the Visualizer and the scanned object is decreased (when capturing high objects).

This means that the lightfield no longer exactly shows the recorded area. In this case switch off the light of the Visualizer by pressing the assigned PRESET key (*LIGHT*) and work with room light.

Working Surface / Light Box



The working surface of the Visualizer (#9) has a special crystalline white color, which is especially designed for perfect reproduction of transparencies.

Even if you own an optional light box, it is **recommended using the top light for transparencies** due to better color reproduction and because the synchronized lightfield still shows the pickup-area of the built-in camera.

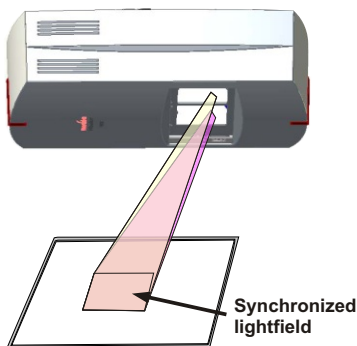
In the following cases, the usage of an optional light box is recommended:

- If the transparency is very dark such as x-rays
- If the transparency is very wavy and causes reflections
- If the room light causes reflections on transparencies

When an optional light box is in use, the light of the Visualizer should be switched off.

This has the disadvantage that the synchronized lightfield of the top light no longer marks the pick-up area of the built-in camera.

Shooting Area On The Working Surface



1. Place your subject material on the working surface. A **synchronized lightfield** on the working surface marks the pick-up area of the built-in camera. Just place your subject material in the illuminated area.
2. Select the enlargement required with the ZOOM keys (#25).
3. When the image is out of focus, adjust the sharpness with the FOCUS keys (#31).

Focusing / One-Push Autofocus



When the Visualizer is turned on the focus automatically adjusts to the working surface level. As a result it is not necessary to readjust the focus, if you are only working with flat material (text, photos etc.).

Due to the great depth in focus of the Visualizer, the focus rarely needs to be adjusted. **Only very high objects require a focus adjustment.**

To activate the **One-Push Auto focus**, press the AF key (#30).

Please note that objects with a very low contrast (like a blank paper) are difficult to focus.

Digital Zoom

Please note that the Visualizer has an **optical 16x zoom**. The digital 4x zoom increases the overall zoom range to a **64x zoom**. However please be aware that when the digital zoom is used, the resolution of the picture is not as high as before.

The default setting displays a message on-screen when you are in the digital zoom mode.

Still pictures in the memory can also be digitally zoomed.

You can change the behavior of the Visualizer in the digital zoom mode in the on-screen menu (see page 16).

Auto Iris / Manual Iris



WolfVision Visualizers are equipped with an auto iris. This means that the brightness of the camera image adjusts automatically. Using the IRIS keys (#34) the auto iris function is switched off. In this mode the Iris can be adjusted manually.

When using the ZOOM keys (#25) the auto iris function is switched on again.

Before the iris closes completely, the Visualizer automatically dims the light.

The standard auto iris level can be set brighter or darker in the unit's on-screen menu

- see page 16 and on-screen help.

Preset Function



The Visualizer offers the possibility to store the current settings as a Preset and recall them by just pressing the respective PRESET key (#27) on the remote control.

By pressing the FREEZE key (#33) for 2 seconds, preset 1 will be recalled.

For storing a preset: adjust any function as required and then press any one of the PRESET keys on the remote control for 2 seconds or more. An on-screen message will inform you when the Preset is stored.

Additionally up to three different Height Adjustment settings can be assigned to the presets in the on-screen menu.

As mentioned above, when presets are stored all current settings such as zoom, focus, iris etc. are also stored. Contrary to this, a user also has the opportunity to assign only specific functions such as "NEGATIVE", "NEGATIVE/BLUE", "BLACK/WHITE", "FREEZE", "LIGHT" etc. to a PRESET key in the on-screen menu of the Visualizer (see page 16).

White Balance Adjustment

IMPORTANT

Correct white balance adjustment is important for an exact color reproduction! Each time the lighting condition changes, the Visualizer's camera must readjust its white balance, in order to optimize the color reproduction. The lighting condition (color temperature) changes, for example, if changing between Visualizer's light and an external lightbox (bottom light) or if room light is turning on or off.

The standard setting of the Visualizer is "auto-tracking" white balance. This means that the white balance is continuously adjusted automatically.

For an exact white balance, at least 10% of the recorded image should be white (measurement area is the center of the image).

For a precise fixed white balance adjustment use the "One Push" white balance. This can be done by pressing the assigned PRESET key (*LIGHT*) for 2 seconds. When the white balance is stored an on-screen message appears. Setting a "One Push" white balance switches off the "Auto Tracking" mode (When the unit is switched off and on again the "Auto Tracking" mode will be reactivated).

Normally there is no need for a manual white balance adjustment. However, if the colors on the screen still appear to be wrong, the white balance can be adjusted manually (one-push):

Hints to perform an One-Push white balance:

Top light: Zoom in on a white object (i.e. a sheet of paper) until there is only white on the screen, press the assigned PRESET key (*LIGHT*) for 2 seconds.

Lightbox with transparencies: Turn off the light of the Visualizer with the assigned PRESET key and switch on the lightbox. Remove everything from the light box and zoom to the smallest picture size until there is only white on the screen, press the assigned PRESET key (*LIGHT*) for 2 seconds.

Lightbox with x-rays: Turn off the light of the Visualizer and switch on the lightbox. Place an x-ray on the light box and zoom out until the whole x-ray is picked up, press the assigned PRESET key (*LIGHT*) for 2 seconds.

Please note: False colors can also be due to wrong color settings of your projector or monitor. It is recommended to adjust the white balance of the Visualizer at first and if the results are still not satisfactory, monitor or projector should be checked.

For specialists: The Visualizer can be switched between "Auto Tracking", "One Push" and "Manual" white balance mode in the on-screen menu (see page 16). If you work with negative transparencies and a light box, use a blank (black in the image) part of the negative film for white balance adjustment! The "one Push" white balance will be separately adjusted and stored for top light and external light.

Image Memory for 9 images



Split image of 9 picture memory

You can store 9 images and recall them by just pressing one of the numerical keys (#36) on the infrared remote control:

<u>Storing an image:</u>	Press one of the MEMORY keys (#36) for 2 seconds or more
<u>Recalling an image:</u>	Press one of the MEMORY keys (#36) quickly

By pressing the VIEW key (#32) a split image with all 9 pictures of the memory can be displayed. When pressing the VIEW key for 4 seconds, a menu appears on the screen asking if you would like to fill the memory with "AUTO SNAPSHOT" or if you would like to "ERASE MEMORY" (grey pictures). When choosing "AUTO SNAPSHOT" the Visualizer stores a new image every second until all 9 memory locations are full.

The functional settings of memory erasing can be changed in the on-screen menu (manually or automatically).

Snapshot key

By pressing the SNAPSHOT key (#29) the currently showed image will be stored in the next free memory. As all 9 memory locations are full, a message appears on the screen "Memory FULL!", "Hold SNAPSHOT to erase oldest". By pressing the SNAPSHOT key for 2 seconds, the memory **Overwrite Mode** will be activated. The stored pictures can be overwritten by pressing the SNAPSHOT key quickly. The Memory Overwrite Mode will be de-activated by pressing the SNAPSHOT key for 2 seconds or by switching off the unit.

FREEZE



The current image can be captured by pressing the FREEZE-key (#33).

When pressing the FREEZE-key for 2 seconds, preset 1 will be recalled (see page 9).

The DVI- and RGB outputs of the Visualizer can be set to output different signals. One of them can always output the live image of the Visualizer camera, while the other one can be set to output a "freeze" image.

This can be used for a "Live Picture to Freeze Picture Comparison" on two monitors or screens with just one Visualizer.

While one display shows the "freeze" image that can be used for comparison, with the "live" image showed by the other display (other output).

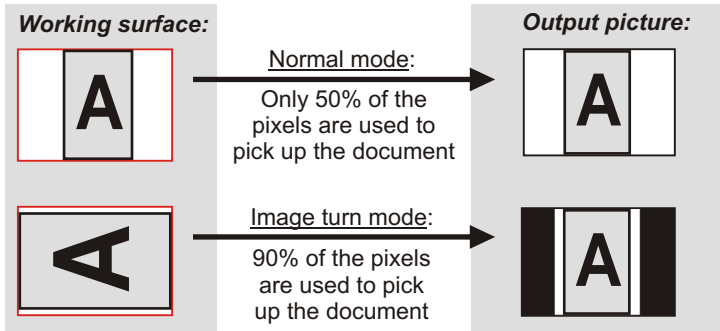
Text Mode

For improving the readability of text, sketches or x-rays, the text mode can be activated by pressing the assigned PRESET key (*TEXT*).

This mode enhances the contrast of the picture. Please note that the colors are now **darker than usual**. To switch off the text enhancement mode, press the assigned PRESET key (*TEXT*) again. When the text enhancement mode is in use, the message "TEXT" is displayed.

This should remind the user to switch off the text mode when it is no longer required. It should also prevent users trying to correct dark colors by opening the iris, resulting in a poorly adjusted picture.

Image Turn Mode (for higher resolution)



Picking up a complete vertical (portrait) document or A4 page has always been a critical issue for a Visualizer because the image was always picked up in a horizontal (landscape) format.

The camera could only use 50% of its pixels to pick up a vertical (portrait) page.

WolfVision's "**Image turn**" mode solves this problem.

Just place your document (or other vertical object) on the working surface horizontally and zoom in on it completely, so that approx. 90% of the pixels of the built-in camera are used to pick up the document, then press the IMAGE TURN key (#28). The Visualizer turns the picture electronically 90° and outputs it correctly with a **much higher resolution** than in normal mode. The left and right margins will be black.

External Input - EXTERN



A computer can be connected to the **External RGB input** (#22) of the Visualizer.

By pressing the **EXTERN**-key (#39) you can switch between the Visualizer image and the image of the external input to be displayed to the audience. The extern mode can also be used for only one output, changeable in the on-screen menu (see page 16).

The Visualizer has a built-in A/D-converter in order to digitize the analog RGB signal from the computer and output it on the RGB and DVI outputs in the selected signal format.

Preferred resolution is: VZ-C12²: SXGA- (1280x960) @60Hz
VZ-C32: XGA (1024x768) @60Hz.

Supported resolutions from VGA (640x480@60Hz) to 1080p (1920x1080@60Hz) with several resolutions and refresh rates in this range.

Following data are provided:

Plug & Play Monitor VESA DDC

Monitor name: "WolfVision"

Video Input Definition: Analog at 0.7Vpp and separated synchronization signals

Vertical range limits: 48Hz - 86Hz

Horizontal range limits: 30kHz - 121kHz

Maximum pixel clock = 170MHz

Gamma=2.2

Preferred resolution: VZ-C12²: SXGA- (1280x960) @60Hz

VZ-C32: XGA (1024x768) @60Hz

Ethernet / LAN Port

10BASE-T/100Base-TX

The **LAN** connection (#20) can be used for controlling the Visualizer over a computer network. Image transfers, firmware updates, displaying status information and e-mail notifications are possible.

The following protocols are supported: TCP/IP, ICMP and ARP.

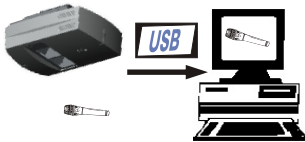
Supported internet browsers are: Internet Explorer, Netscape Navigator and Mozilla/Firefox.

By default, DHCP is activated to receive all network settings automatically.

Possible image transfer resolution on still images up to SXGA- (1280x960).

Please check the separate description of "Built-In Webserver" on our internet homepage at: www.wolfvision.com/support (or on the supplied CD-Rom).

USB Port



The USB output (#21) of the Visualizer can be used to transfer images from a Visualizer to a computer and save them in JPG, TIF or BMP format. This way, Visualizers can also be used as scanners for 3-dimensional objects. WolfVision Visualizers are equipped with a fast USB 2.0 port. This allows uploading images onto a computer in a fraction of a second.

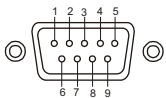
Connecting slower computers with the older USB 1.1 standard is also no problem. It still takes only a small fraction of the time a desktop scanner requires to scan an image. WolfVision's Connectivity Software works under Windows 2000, XP and Vista or Apple Macintosh OS 10.2 (or higher) and is fully Twain compatible. This is important when using the Visualizer in connection with popular graphic programs such as Photoshop, or for connecting them to Interactive Whiteboards (Smart Boards).

The fast USB 2.0 port can also output live motion. The WolfVision Connectivity Software can store AVI files and includes a video capture driver. You can view and save the live image from the Visualizer on your computer in almost every modern video editing software.

Please download the latest version of the WolfVision Connectivity Software from: www.wolfvision.com/support.

RS-232, Serial Control Input

The serial port (#19) can be used to control the Visualizer through an external device, such as a room control system that are used to integrate conference rooms.



9-pin D-Sub connector on unit male (front side)

Pins: 2: RX, 3: TX, 5: GND
Baud Rate: 9200, 19200, 38400, 57600 or 115200 (selectable)
databits: 8, stopbit: 1, parity: no

The baud rate can be changed in the on-screen extra menu (see page 16).

The complete serial protocol can be found on our internet website under: www.wolfvision.com/support

DVI/RGB Output

Choosing the Correct Output Mode

The DVI and RGB outputs (#16, #18, #23 and #24) can output signals in following formats:

- VGA (4:3 - 640x480 pixels) at 60Hz
- SVGA (4:3 - 800x600 pixels) at 60Hz, 75Hz or 85Hz
- **XGA (4:3 - 1024x768 pixels) at 60Hz, 75Hz or 85Hz**
 - **native image on VZ-C32**
- **SXGA- (4:3 - 1280x960 pixels) at 60Hz or 85Hz**
 - **native image on VZ-C12²**
- SXGA (5:4 - 1280x1024 pixels) at 60Hz or 75Hz
- SXGA+ (4:3 - 1400x1050 pixels) at 60Hz or 75Hz
- UXGA (4:3 - 1600x1200 pixels) at 60Hz
- XGA 16:9 (special format for non-HDTV capable 16:9-Plasma displays) at 60Hz
- WXGA/60 (16:9 Widescreen - 1360x768 pixels) at 60Hz
- WSXGA+/60 (16:10 Widescreen - 1680x1050 pixels) at 60Hz
- **720p (16:9 Widescreen HD/HDTV - 1280x720 pixels) at 50Hz or 60 Hz**
 - **native image on VZ-C12²**
- 1080p (16:9 Widescreen HD/HDTV - 1920x1080 pixels) at 50Hz or 60Hz

The "**Auto resolution**" function is activated by default. In this mode the Visualizer continuously checks which devices are connected to the RGB (#16, #18 and #24) and DVI output (#23) and automatically sets the optimal output mode for each connected device separately. Please note that the Visualizer can not check the possible resolution, if the connected units or the cables* are not "Plug and Play" compatible. If the Visualizer can not detect the resolution of the connected device, the output is set to the default of XGA /60Hz on VZ-C32 and SXGA-/60Hz VZ-C12².

(*Cables with plug and play compatibility must have a 15-pin plug on both ends with all pins connected, pin 9 is not used).

If you can not use the "Auto resolution" function, you can select the output mode manually in the on-screen menu of the Visualizer (see page 16).

In order to achieve the best picture quality you must set the outputs of the Visualizer to match the native resolution of your display unit (e.g. LCD or DLP projector or monitor). **Important:** What matters is the native resolution of the projector or monitor, not the maximum resolution that it can display (in compressed mode). The native resolution is the actual number of pixels of the built-in LCD display or DLP chip of a projector or monitor. Most LCD or DLP projectors can also display higher resolutions than their native resolution, but only in compressed mode and with inferior picture quality.

Do NOT set the output of the Visualizer to a higher standard than the native resolution of your display unit!

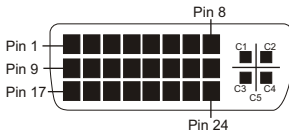
If you output the Visualizer image on a CRT monitor or CRT projector, use an output mode with 75 or 85Hz, because 60Hz may show a slight image flickering. For LCD/DLP projectors or monitors and video conferencing units 60Hz is the best choice. If you are unsure what the best mode is, read the user manual of the connected units.

Do not set a higher refresh rate than your monitor or projector can display, otherwise the monitor or projector can be damaged!

Follow the instructions in the user manual of the connected units.

Please note, if 4:3 and 16:9 or 16:10 resolutions are used simultaneously, the 4:3 display shows black bars on top and bottom. This is necessary to ensure that all displays show the same image content.

DVI-I Port



1 - T.M.D.S. Data2-	9 - T.M.D.S. Data1-	17 - T.M.D.S. Data0-
2 - T.M.D.S. Data2+	10 - T.M.D.S. Data1+	18 - T.M.D.S. Data0+
3 - T.M.D.S. Data2/4 Shield	11 - T.M.D.S. Data1/3 Shield	19 - T.M.D.S. Data0/5 Shield
4 - T.M.D.S. Data4- (*)	12 - T.M.D.S. Data3- (*)	20 - T.M.D.S. Data5- (*)
5 - T.M.D.S. Data4+ (*)	13 - T.M.D.S. Data3+ (*)	21 - T.M.D.S. Data5+ (*)
6 - DDC Clock	14 - +5V Power	22 - T.M.D.S. Clock+
7 - DDC Data	15 - Ground (return for +5V, HSync and Vsync)	23 - T.M.D.S. Clock-
8 - Analog Vertical Sync	16 - Hot Plug Detect	24 - Analog Vertical Sync
C1 - Analog Red	C2 - Analog Green	C3 - Analog Blue
C4 - Analog Horizontal Sync		
C5 - Analog Ground (analog R, G & B return)		

*...not used

External Infrared (IR) Sensor

IMPORTANT

In some rooms the 3 built-in infrared receivers of the Ceiling Visualizer may not be enough. In this case connect the supplied external infrared receiver to the IR-sensor plug (#17) and position the IR-sensor somewhere on the ceiling (or in the room) where the users normally point the remote control at.

Lightbox (optional)

When a lightbox is used, the top light of the Visualizer should be switched off with the assigned PRESET key (*LIGHT*).

Using a bottom light has the disadvantage that the Synchronized Lightfield of the top light no longer marks the pick-up area of the built-in camera.

The recommended lightbox for the Ceiling Visualizer is the WolfVision Lightbox LB-38.

Automatic Lamp Changer

The Ceiling Visualizer is fitted with an automatic lamp changer.

If one lamp fails, there is no need to replace it immediately, as the automatic lamp changer automatically switches to the second (spare) lamp. When the unit changes lamps there is an on-screen message saying: "Changing lamp".

When switching on the unit the Visualizer checks if both lamps are working. If one lamp fails there will be an on screen message for a couple of seconds displaying "Lamp x blown". This prevents a user from forgetting to change a defective lamp.

Thermostat

If the unit gets too hot (improper ventilation or air extraction) a built in thermostat will switch off the light of the Visualizer. Verify that proper ventilation and air extraction is available and allow the unit to cool.

The following chapter is for experienced users only:

ON-SCREEN MENU / ON-SCREEN HELP

For regular use of the WolfVision Visualizer, it is not necessary to go into the Visualizer's menu and change settings. Inexperienced users should not make any adjustments here.

To enter the on-screen menu press the MENU key (#39) for one second. Settings of the Visualizer's basic functions and the built-in camera can be made here using the 4 SELECT keys on the remote control (=the numerical keys with red arrows - #35).

Please note that some basic settings in the menu can only be changed if you set the menu item "**Format protect**" to "OFF" first.

If more information on a function in the on-screen menu is required, set the cursor in the respective line and press the HELP key (#37). A detailed description of this function appears on the screen. If you want to **reset** the selected item to the default setting, press the HELP key (#37) for 2 seconds.

By pressing the MENU key for 4 seconds the Extra Menu appears.

In the Extra Menu, settings like baud rate can be changed.

The functions of the on-screen menu are not described in detail in this user manual as the help menu is an integrated part of the Visualizer's software (firmware). The information you see on your screen always belongs to the current Visualizer firmware.

Switching to Negative, Negative/Blue and Black/White

The output image of the Visualizers can be switched from positive to negative in the on-screen menu. In addition, the background of a negative image can be switched to blue for better readability of text. You can also switch between color or black and white in the on-screen menu.

TIP: If you often switch to negative, negative/blue or black/white images you can assign this function to one of the Preset keys in the on-screen menu.

Changing the Standard Contrast (Color) Settings

If the picture or the colors on your screen appear to be too dark, you can lower the overall contrast of the picture in the "Color Settings" menu of the on-screen menu. The settings can be made separately for the normal mode and the text-mode.

Auto Power-off

In the "Power Control" settings of the on-screen menu you can select that the Visualizer will be automatically switched off after a certain amount time.

Preset Settings

In the "Preset Settings" the Preset keys can be assigned specific functions such as "Negative/Blue", "Black/White", "LIGHT" etc.

RESET OF ON-SCREEN MENU SETTINGS

All settings in the on-screen menu can be set back to the factory defaults. "Reset" is one item in the on-screen menu (*alternatively, the menu can be reset by keep pressed both FOCUS keys simultaneously for 2 seconds, release it and press the MEMORY 4 key*).

If you only want to reset the item that is currently selected to the default setting, press the HELP key (#37) for 2 seconds!

MAINTENANCE

Exchanging Lamps

Before changing the lamp allow it to cool or use a cloth to avoid burning fingers!
When inserting a new lamp into the socket use a cloth to prevent fingerprints on the lamp!

1. Turn the unit off (#12) and disconnect the power cord (#15)!
2. Press the release button and swing the unit downwards. (see figure 1 and figure 2)
3. Release the quick lock by turning and lift up the lid. (see figure 2)
4. **CAUTION: LAMP CAN BE HOT!**
Change the lamp (or both lamps) (see figure 3)
5. To swing the unit up, release the security lock mechanism, by pulling and turning counterclockwise. (see figure 2)

Lamp type: Halogen long life lamp 24V/150W at 300 h average burning life.
WolfVision part no.: 100814

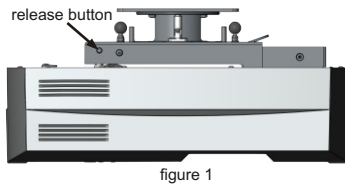


figure 1

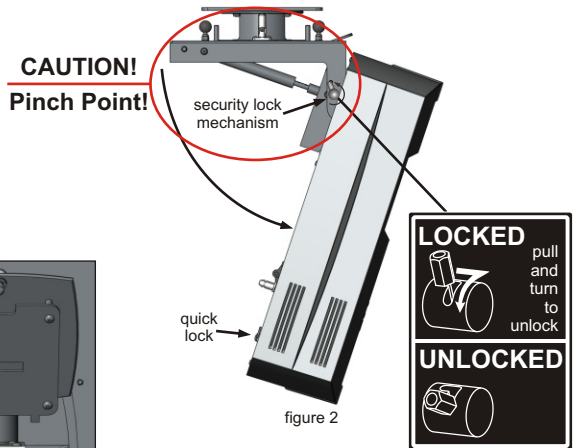


figure 2

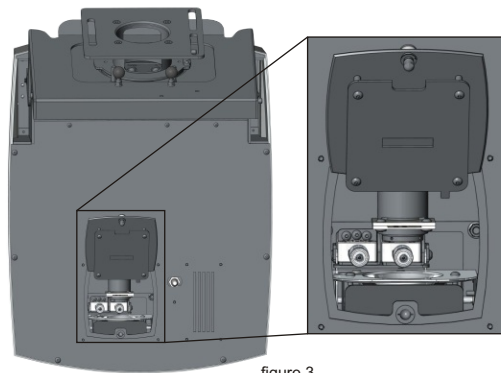


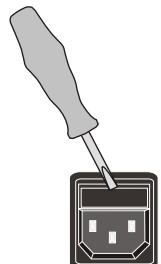
figure 3

Exchanging Fuses

Disconnect the power cord (#15) before changing the fuses!
The fuses (#14) are situated behind a small lid at the power socket.
It can easily be opened with a small screwdriver etc.
Remove the socket, exchange the fuse(s) carefully,
and put back the socket the right way round into the socket holder.

The type of fuse is: T 3,15A. Do not use any other type !

Change the fuses for new ones and switch the unit on.
If the fuse fails again contact your Visualizer dealer!



Cleaning

IMPORTANT

Cabinet: Clean the cabinet by gently wiping it with a soft, lint free cloth.

Glass: Clean the glass by gently wiping it with a soft, lint free cloth (do not use a paper tissue!). Clean by breathing on the glass to create moisture then wipe with lint-free cloth (If not clean, use special optical cleaner only!).

**Never use strong cleaning agents such as acetone or benzene!
These substances can damage the surface and anti-reflex coating!**

Please note that dust on the mirrors (#1, #2) inside the unit and the glass has only little effect on the picture quality (as it is out of the focal range).

WARNING:

**To clean the mirror, the unit has to be opened!
Opening the unit is reserved for WolfVision or authorized service personnel!
The unit might be in need of adjustment after opening.**

Infrared Remote Control

Please note that an infrared remote control can only be used up to a certain distance from the unit. Objects situated between the Visualizer and the infrared remote control, and weak batteries, interfere with reception.

If the Visualizer can only be controlled from a close distance, or if it cannot be controlled at all with the infrared remote control, you may have to change the batteries.

Open the cover on the back of the remote control and replace the two 1.5 V AA batteries with new ones.

Check the polarity of the batteries!

Recycle the batteries!



back (open)

Different IR Codes

If you want to work with more than one Visualizer in the same room, the units should be set to different infrared codes, in order to control them all individually.

To change the IR code, enter the on-screen menu, go to "Misc. Settings" and set the "IR Code" to A, B, C or D (code A is default). To change the IR code on the remote control, simultaneously press **PRESET 1**, **PRESET 2 (#27)** and **ZOOM TELE (#25)**. Each time this key combination is used, the code switches from A to B, C, D ... A ... in the order given. For resetting the remote control to code A, simultaneously press **PRESET 1**, **PRESET 2** and **ZOOM WIDE**.

The LED shows the selected code (it flashes one time for code A, two times for code B, three times for code C and four times for code D).

Firmware Upgrades

The software (firmware) of your Visualizer (including the on-screen HELP) can easily be upgraded to the latest version. The firmware update can be done via USB, Ethernet (LAN) or RS232.

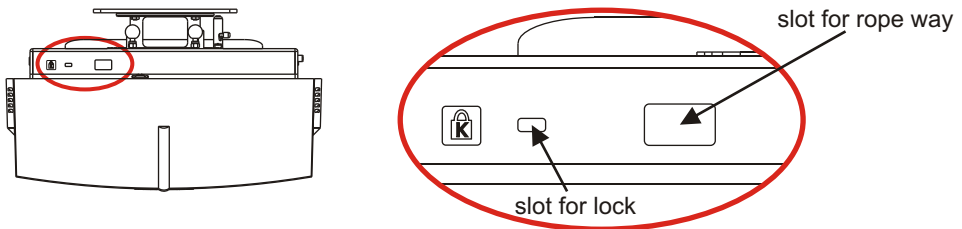
Firmware update files can be downloaded for free at www.wolfvision.com/support.

Updates via USB or Ethernet/LAN can be made with the WolfVision Connectivity Software, updates via RS232 can be made with WolfVision's Firmware Update Utility. Both tools can also be found under the same link as the firmware files.

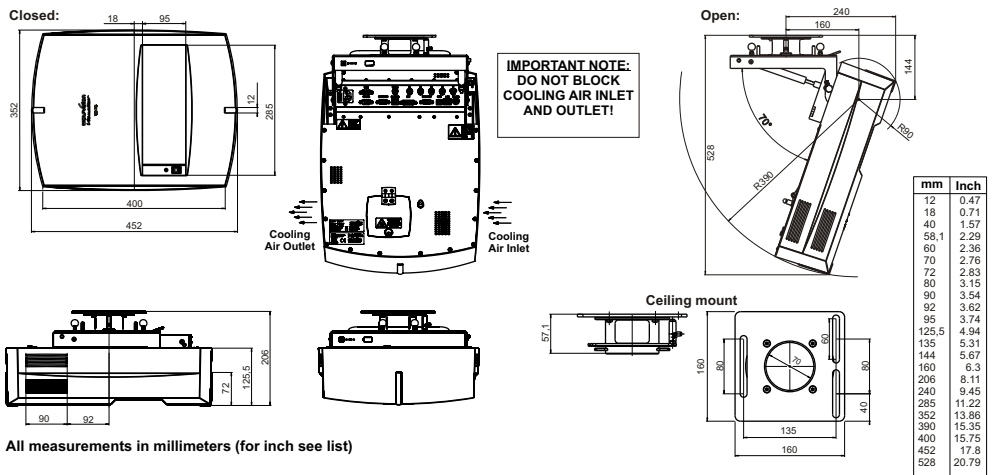
Antitheft Device

The ceiling Visualizer can be fixed onto the ceiling with a security cable T-bar lock (Kensington® Lock), so that it **can not be stolen**.

Follow the instructions from the cable lock manual.



Dimensions



All measurements in millimeters (for inch see list)

Technical Data

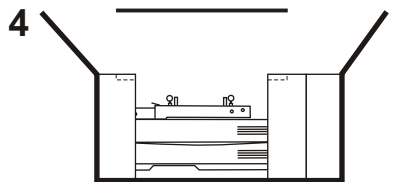
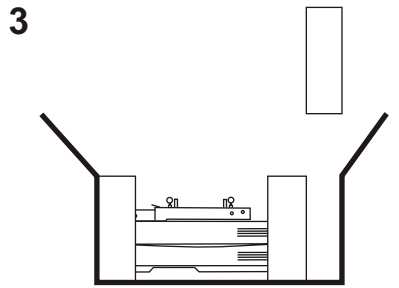
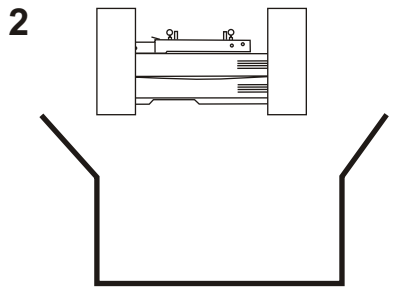
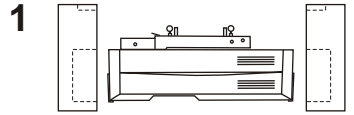
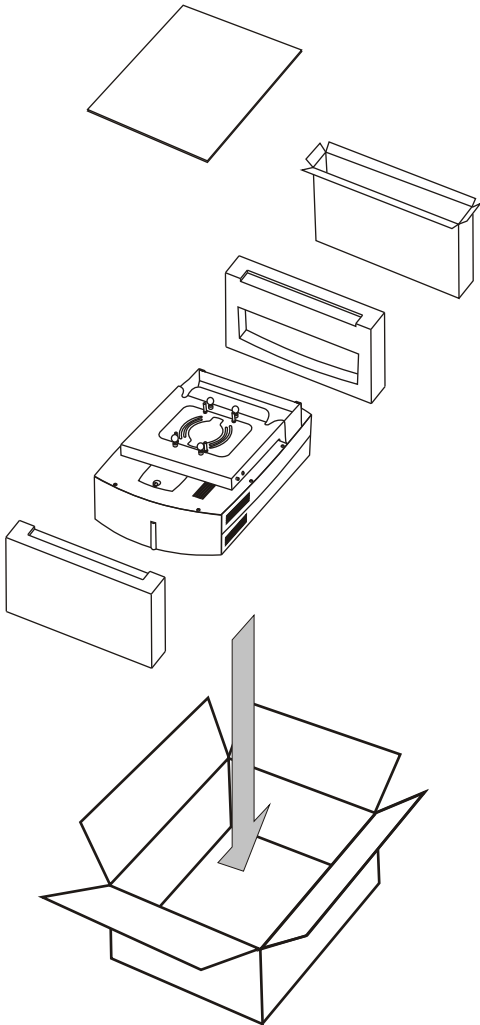
	VZ-C12 ²	VZ-C32
Camera / Technology (Signal format)	1-CCD 1/3" Progressive Scan Camera	3-CCD 1/3" Progressive Scan Camera
Pictures per second (as picked up by the camera)	30 Bilder (=Vollbilder)	
Effective Pixel	1280 x 960 (=1,228,800)	3x 1024 x 768 (=2,359,296)
Total pixels of CCD	1,315,648	2,550,000
Pixels processed per second (=effective pixels x frames per sec.)	36,864,000	70,800,000
Color reproduction (sRGB color precision)	very good colors	100% live like colors
Native signal output	SXGA- (1280x960) / HD 720p (1280x720)	3 x XGA (1024x768)
Output signals	HD/HDTV 1050p / HD/HDTV 720p / WSXGA+ / WXGA / UXGA / SXGA+ / SXGA / SXGA- / XGA / SVGA / VGA (switchable), LAN, USB 2.0	
Resolution (measured)	820 lines	1000 lines
Resolution in Image Turn mode (measured)	1050 lines	1300 lines
Image Turn mode (for increased resolution when picking up complete portrait pages)	yes / 90°, 180° and 270°	
Vertical image-frequency (depending on resolution)	Progressive Scan: 85, 75, 60 oder 50 Hz (switchable)	
Horizontal image-frequency (depending on resolution)	Progressive Scan: 31.5 - 91.1 Hz	
Iris	automatic and manual	
White balance adjustment	automatic and manual	
Autofocus	One-push-autofocus (focusing is rarely necessary due to high depth of focus)	
Manual focus	yes	
Synchronized lightfield	yes (in size of pick-up area of camera) with 4:3 / 16:9 switching	
Text enhancement function (for colored text)	yes	
On-screen menu and on-screen help	yes	
Upgradeable firmware	yes, via USB, serial (RS232) or Ethernet/LAN	
Lens / Zoom	two telezoom lenses 64x Zoom (16x optical + 4x digital)	
Max. object height on working surface	no limit (depending on installation height)	
Max. pick-up area on working surface	depending on installation height	
Max. pick-up area on working surface in Image Turn mode	depending on installation height	
Min. pick-up area on working surface	depending on installation height	
Min. pick-up area on working surface with digital zoom	depending on installation height	
Depth of focus on small object (42 x 33 mm)	larger than 70mm (2.75")	
Depth of focus on large object (360 x 270 mm)	larger than 250mm (9.7")	
Shadow free illumination / Illumination of hollow objects	yes	
Disturbing stray light / blinding of audience or speaker	none	
Light source	2pcs. standard halogen lamps (long life 24V / 150W), automatic lamp changer	
Software for image capture and controlling	included (for Windows and Macintosh, Twain compatible with Video Capture Treiber)	
Reflection free area on working surface	whole working surface	
User programmable presets	3 (plus 8 fixed presets through RS232)	
Special working surface for transparencies	yes	
Bottom light / Light box / Slide pick-up	with optional external light box	
Computer input / Input switch	yes (15-pin D-Sub plug), can also be output through DVI	
Image memory	9 pictures, 1 image freeze	
Show all function (displays all 9 pictures of current memory as one split image)	yes	
Alternative image display	negative image / negative-blue image / black and white image	
RGB (=data RGB) output	three (2x 15-pin D-Sub-plug and 5x BNC)	
DVI output / HDMI output	DVI-I (analog and digital) / when using a DVI-HDMI cable	
USB port / standard	USB 2.0	
RS232 port and serial protocol with position setting and status report	yes, 9-pin Sub-D plug	
Ethernet (LAN) port	yes, IP-addressable, 10/100 Mbps	
Dimensions (L x W x H)	452mm x 352mm x 206mm (17.8" x 13.9" x 8.1")	
Weight	12kg (25lbs)	
Infrared remote control	yes (with laserpointer)	
External IR-sensor	yes, with 10m cable	
Anti-theft device	with T-Lock (Kensington Lock®)	
Voltage input / Power consumption	multi range 100 - 240 VAC at 150W	
Warranty	3 Jahre	
Made in	Austria (European Union)	

Please note: Due to technical improvements all specifications are subject to change!

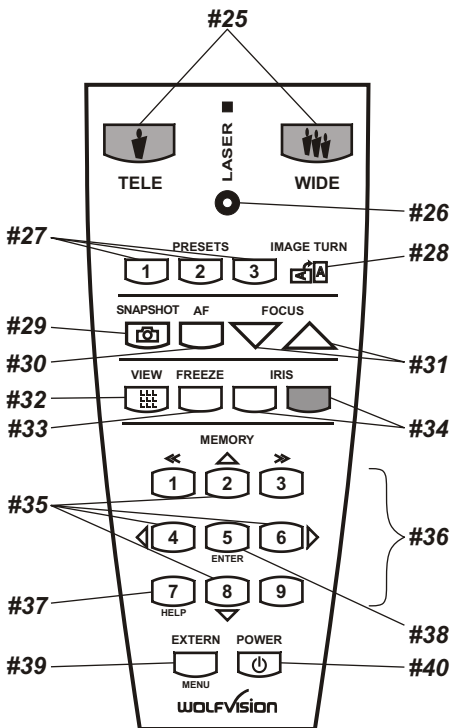
Packaging / Transportation

IMPORTANT

Please make sure that you pack up the Visualizer in the supplied box as explained in this graphic. This is very important to avoid damage to sensitive parts of the unit!



Codes - Short Keys



Storing Presets:

Press one of the **PRESET** keys (#27) for 2 seconds.

Activating the on-screen menu:

Press the **MENU** key (#39) (**EXTERN** key) for 1 second.

One-push auto focus:

Press the **AF** key (#30).

Storing Images:

Press one of the **MEMORY** keys (#36) for 2 seconds.

Filling the Image Memory quickly:

By pressing the **SNAPSHOT** key (#29) the image is stored in the next free memory (1-9). If the memory is full, a message appears on the screen.

Press the **VIEW** key (#32) for more than 4 seconds. Then follow the instructions of the on-screen menu (Press **MEMORY 1** (#36) for snapshot or **MEMORY 3** (#36) to erase the memory).

Change IR code:

Change the IR code in the on-screen menu "Misc. Settings" (code A is default). Change the IR code on the remote control too by pressing simultaneously **PRESET 1**, **PRESET 2** (#27) and **ZOOM TELE** (#25) to switch from code A to B, C, D ... A ... in the order given. For resetting the remote control to code A simultaneously press **PRESET 1**, **PRESET 2** (#27) and **ZOOM WIDE** (#25).

Resolution Settings:

Set resolution to AUTO:

Keep pressed both **FOCUS** keys (#31) simultaneously for 2 seconds (max. 10sec.), release it and press the **MEMORY 5** (#36) key.

Set resolution Up:

Keep pressed both **FOCUS** keys (#31) simultaneously for 2 seconds (max. 10sec.), release it and press the **MEMORY 2** (#36) key.
The first setting after AUTO is VGA at 60Hz.

Set resolution Down:

Keep pressed both **FOCUS** keys (#31) simultaneously for 2 seconds (max. 10sec.), release it and press the **MEMORY 8** (#36) key.

Recall Factory Setting:

Keep pressed both **FOCUS** keys (#31) simultaneously for 2 seconds (max. 10sec.), release it and press the **MEMORY 4** (#36) key.

Demo-Mode:

Press the **POWER** key (#40) for 2 seconds.

Vorsichtsmaßnahmen

DEUTSCH



WARNUNG!

Elektroschockrisiko
gefährliche Spannungen
im Geräteinneren



Angeführte Vorsichtsmaßnahmen unbedingt beachten:

DAS GERÄT DARF NUR VON AUTORISIERTEN UND GESCHULTEN FACHKRÄFTEN MONTIERT UND GEWARTET WERDEN.

**QUETSCHGEFAHR! SCHWENKEINHEIT KANN FINGER QUETSCHEN.
NICHT IN DEN SCHWENKMECHANISMUS GREIFEN.
VOR SERVICEARBEITEN SICHERHEITSVERRIEGELUNGSMECHANISMUS KONTROLLIEREN.**

DAS GERÄT NUR MIT DER AUF DEM TYPENSCHILD ANGEgebenEN SPANNUNG BETREIBEN !

DAS GERÄT VOR HITZE UND FEUCHTIGKEIT SCHÜTZEN !

DAS GERÄT VOR ERSCHÜTTERUNG SCHÜTZEN !

Bitte darauf achten, dass eine ausreichende Luftzirkulation zur Kühlung des Gerätes möglich ist (Lüftungsschlitze links und rechts unbedingt freihalten)!

Bei jeder Art von Störungsanzeichen (abnormale Geräusche, Geruch, Rauchentwicklung, etc.) das Gerät abschalten. Setzen Sie sich bitte in solchen Fällen umgehend mit Ihrem Visualizer-Händler in Verbindung!

Niemals ein beschädigtes Netzkabel verwenden. Andernfalls kann es zu Kurzschlüssen und zu elektrischen Schlägen kommen!

Am Gerät keinerlei Umbauten vornehmen und das Gerät niemals ohne Gehäusedeckel in Betrieb nehmen!

Keine entflammabaren oder metallischen Gegenstände oder Flüssigkeiten in das Geräteinnere dringen lassen!

Das Gerät nicht im Bereich von starken Magnetfeldern und elektrischen Feldern in Betrieb nehmen!

Das Gerät nicht im Wirkungsbereich von Röntgenstrahlung betreiben. Dadurch können Teile der Kamera beschädigt werden.

Das Netzkabel und den Netzstecker niemals mit feuchten Händen berühren!

Das Gerät bei längerer Nichtbenutzung vom Netz trennen (Hauptschalter)!

Vorsichtsmaßnahmen für den Laserpointer:

Laser Information

FDA Zugriffsnummer:
9912688-00

Der Laser entspricht den
Vorschriften:
21 CFR 1040.10 und 1040.11



Prüfungen

Aufkleber am Gerät:



FCC information (original Text):

This device complies with part 15 of the FCC rules. Operation is subject to the following two conditions: (1) This device may not cause harmful interference, and (2) this device must accept any interference received, including interference that may cause undesired operation.

Note:

This equipment has been tested and found to comply with the limits for a class B digital device, pursuant to part 15 of the FCC rules.

Information to user:

The user manual or instruction manual for an intentional or unintentional radiator shall caution the user that changes or modifications not expressly approved by the party responsible for compliance could void the user's authority to operate the equipment.

Dieses Gerät entspricht der EMC-Verordnung und der Verordnung für elektrische Geräte. Prüfungen, Tests und Untersuchungen wurden nach UL 60950. CSA 22.22-60950 durchgeführt.

Prüfungen, Tests und Untersuchungen wurden nach dem CB-Schema durchgeführt. Prüfungen, Tests und Untersuchungen wurden nach dem PCT-Schema durchgeführt.

Weltweite Patente

EU 0 362 737

KR 128059

AU 765617

DE P58907684.1-08

US 5,027,219

CN ZL99118847.0

CN 89107780.4

EU 0 987 874

und weitere

JP 1725033

JP 3 544 900

Copyright Information

Copyright © WolfVision. Alle Rechte vorbehalten.

WolfVision, Wofu Vision und 沃福视讯 sind registrierte Warenzeichen der WolfVision Holding AG, Austria.

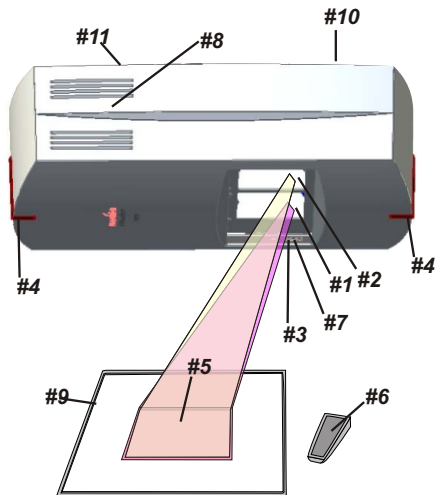
Dieses Dokument darf ohne vorherige schriftliche Zustimmung von WolfVision weder als Ganzes noch in Teilen mit irgendwelchen Mitteln kopiert, reproduziert oder übertragen werden. Ausgenommen sind Kopien, die vom Benutzer zu Sicherheitszwecken aufbewahrt werden.

Im Interesse einer ständigen Produktverbesserung behält sich WolfVision das Recht vor, die Produktspezifikationen ohne Ankündigung zu ändern. Änderungen an diesem Dokument bleiben vorbehalten.

Haftungsausschlussklärung: WolfVision ist nicht haftbar für technische und redaktionelle Fehler und Unvollständigkeit.

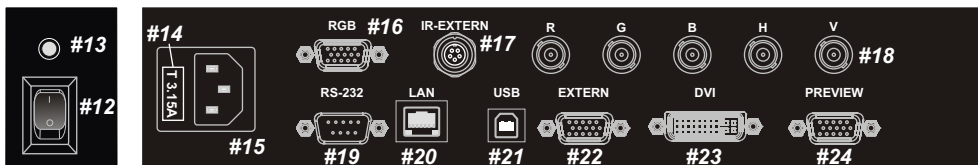
Die Geräte sind "MADE IN EU/AUSTRIA"

Gedruckt in Österreich, November 2008



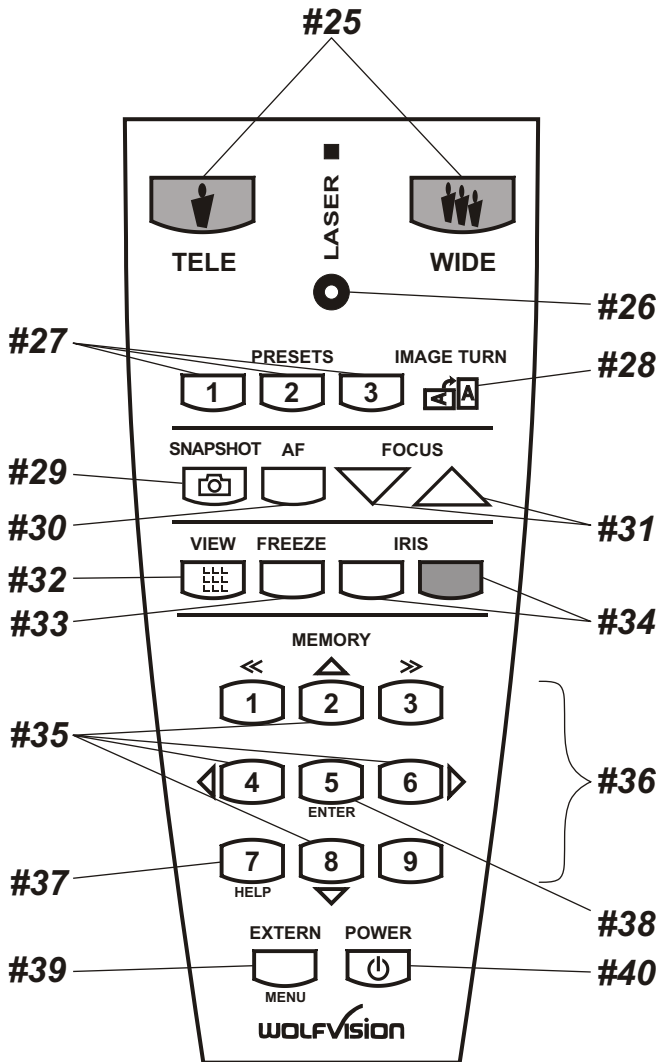
- #1 Umlenkspiegel für das Licht**
(hinter dem Abdeckglas)
- #2 Umlenkspiegel für die Kamera**
(hinter dem Abdeckglas)
- #3 Infrarot Empfänger (1x unten)**
- #4 Infrarot Empfänger (2x seitlich)**
- #5 Synchronisiertes Lichtfeld**
- #6 Infrarot Fernbedienung**
- #7 Hauptschalter und Power LED**
(siehe unten)
- #8 Lüftungsschlitze** (auf beiden Seiten)
- #9 Arbeitsplatte**
- #10 Anschlüsse** (siehe unten)
- #11 Abdeckung für den Lampenwechsel**
(siehe Seite 18)

Anschlüsse (#10) und Hauptschalter (#7)



- #12 Hauptschalter** (Netz), neben dem Abdeckglas
- #13 Power LED** zur Anzeige des Betriebsstatus, neben dem Abdeckglas
- #14 Sicherungen** (siehe Seite 17)
- #15 Netzanschluss**
- #16 RGB Ausgang** 15-pin (siehe Seite 14)
- #17 IR-EXTERN** Eingang für zusätzlichen IR-Sensor (siehe Seite 15)
- #18 RGB Ausgang** BNC Stecker (siehe Seite 14)
- #19 RS-232** Anschluss für externe Steuerung (siehe Seite 13)
- #20 LAN** 10/100 TBase Anschluss (siehe Seite 13)
- #21 USB** Anschluss zum Computer (HOST) (siehe Seite 13)
- #22 EXTERN IN** Eingang für Computer RGB-Signale (siehe Seite 12)
- #23 DVI** Ausgang (siehe Seiten 14 und 15)
- #24 PREVIEW** RGB Ausgang für einen Vorschaumonitor 15-pin (siehe Seite 14)

Infrarot Fernbedienung (#6)



#25 ZOOM Tasten

Durch Drücken einer der ZOOM-Tasten wird die Autoiris wieder aktiviert.

#26 LASER POINTER Taste

Wichtig: Nicht direkt in den Laserstrahl blicken!
Dies kann Ihre Augen schädigen!

#27 PRESET Tasten (programmierbare Einstellung)

Kurzes Drücken = Preset abrufen
Mehr als 2 Sekunden drücken = Preset speichern (*siehe Seite 9*).

#28 IMAGE TURN Modus Taste

Um hochformatige Dokumente mit höherer Auflösung darzustellen (*siehe Seite 12*).

#29 SNAP SHOT Taste

Aktiviert die SNAPSHOT-Funktion (*siehe Seite 11*).

#30 ONE PUSH AUTO FOCUS (AF) Taste

Durch Drücken der AF-Taste wird ein One-Push Autofokus ausgeführt (*siehe Seite 9*)

#31 Manual FOCUS Tasten

Zum Fokussieren. Durch gleichzeitiges Drücken beider FOCUS-Tasten wird ein One-Push Autofokus durchgeführt (*siehe Seite 9*).

#32 VIEW Taste

Zur gleichzeitigen Darstellung aller im Speicher befindlichen Bilder (*siehe Seite 11*).

#33 FREEZE key

Friert das aktuelle Bild ein (*siehe Seite 11*).

#34 Manuelle IRIS-Tasten (manuelle Blende)

Wenn die IRIS-Tasten gedrückt werden, schaltet der Visualizer die Autoiris-Funktion ab.
Beim nächsten Betätigen der Zoom-Tasten wird die Autoiris-Funktion wieder eingeschaltet (*siehe Seite 9*).

*Für Spezialisten: Für Spezialisten: Das Verhalten der Iris kann im On-Screen Menü geändert werden.
Der Basis-Iris-Level kann im On-Screen Menü geändert werden (siehe Seite 16).*

#35 MENÜ NAVIGATIONS-Tasten (Doppelfunktion der Memory-Tasten)

Zum Navigieren innerhalb des On-Screen Menüs (*siehe Seite 16*).

#36 MEMORY Tasten 1 - 9

Zum Speichern und Aufrufen von Bildern (*siehe Seite 11*).

#37 HELP/RESET Taste für das ON-SCREEN Menü (Memory Taste 7)

Im On-Screen Menü Modus erhält man bei Betätigen der HELP-Taste eine Erklärung zum gerade aktiven Menü-Punkt (auf Englisch). Wenn diese Taste 2 Sekunden gedrückt wird, stellt sich der ausgewählte Menüpunkt auf den Standardwert zurück (*siehe Seite 16*).

#38 ENTER Taste (Memory Taste 6)

Selbe Funktion wie die rechte MENÜ NAVIGATIONS-Taste (MEMORY-Taste Nr.6).

#39 EXTERN Taste / MENU Taste

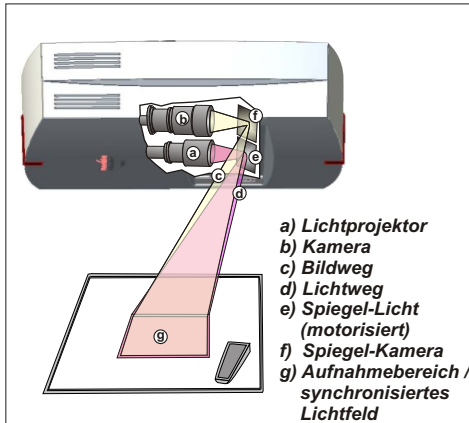
Zum Umschalten zwischen Visualizer-Bild und externem Eingang (*siehe Seite 12*).

1 Sekunde lang drücken aktiviert das On-Screen Menü (siehe Seite 16).

#40 POWER key

Schaltet das Gerät ein und aus. Beim Einschalten wird der Power-on Preset ausgeführt.

Funktionsweise des Visualizers



Ein **Lichtprojektor (a)** im Geräteinneren projiziert ein **Lichtfeld (g)** in der selben Größe wie der Aufnahmebereich der eingebauten Kamera über den **Spiegel (e)** auf die Arbeitsfläche.

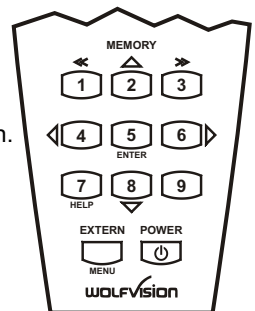
Die **Kamera (b)** nimmt das Bild über den **Spiegel (f)** auf.

Die Objektive des **Lichtprojektors (a)** und die **Kamera (b)** sind synchronisiert. Dadurch ändert sich die Größe des Lichtfeldes auf der Arbeitsfläche immer wenn der Anwender den Zoombereich der Kamera ändert.

Das Abtast- und Beleuchtungssystem ist ein weltweit eingetragenes Patent von WolfVision.

Inbetriebnahme des Visualizers

1. Netzkabel am Gerät (#15) anstecken und am Netz anschließen.
2. Wenn ein Kontrollmonitor verwendet werden soll, verwenden Sie bitte den PREVIEW RGB Ausgang (#24).
3. Hauptmonitor oder Projektor an einem der Ausgänge anschließen.
Zur Wahl des richtigen / besten Ausgangsmodus lesen Sie bitte die Seite 12!
4. Den Hauptnetzschalter (#12) auf "I" stellen
(Die POWER LED blinkt nun rot).
5. Die POWER-Taste (#40) der Fernbedienung betätigen um das Gerät einzuschalten.
 Der Visualizer justiert sich nun auf den "Power-On Preset"



Power-on Preset:

Automatisches Zoomen auf eine mittlere Zoomposition auf der Arbeitsfläche (die Aufnahmegröße ist abhängig von der Montagehöhe des Visualizers). Sobald die POWER LED (#26) durchgehend grün leuchtet, ist der Visualizer betriebsbereit.

(Das Verhalten des Gerätes beim Einschalten oder nach dem Drücken der POWER-Taste kann im On-Screen Menü geändert werden (siehe Seite 16)).

Erstmaliges Einschalten des Visualizers

Beim ersten Einschalten des Gerätes startet das "Height Adjustment" (=Höhen Einstellung) automatisch. Der Decken Visualizer wurde werksseitig auf eine Distanz von 2 m eingestellt. Bei den meisten Installationen differiert die Montagehöhe von der voreingestellten Höhe, deshalb müssen folgende Einstellungen vorgenommen werden:

1. Einstellung von Kamera- und Lichtfokus
2. Justage der Lichtfeldzentrierung auf das Kamerafeld

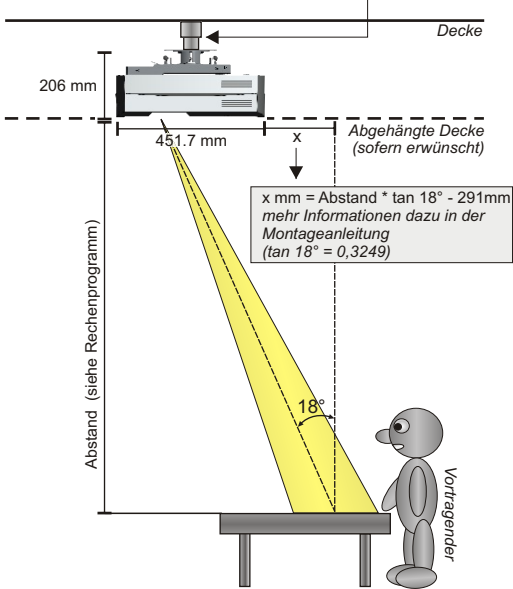
Bitte beachten: Diese Einstellung ist nur einmalig vorzunehmen. Sie muss nur dann wiederholt werden, wenn der Abstand zwischen Visualizer und Arbeitsfläche verändert wird.

- Mehr Informationen über diese Einstellung finden Sie in der Montageanleitung

Installation

Bitte lesen Sie zuerst die Montageanleitung zur Installation des Gerätes an der Decke durch. Die Bildgrößen, die das Gerät aufnehmen kann, sind nicht fix. Sie sind abhängig vom Abstand zwischen der Arbeitsfläche und der Unterseite des Visualizers. Die Tabelle in der Montageanleitung zeigt das Verhältnis zwischen Montagehöhe und Aufnahmegröße:

In extrem hohen Räumen ist das kleinste Bild, welches das Gerät abtasten kann, möglicherweise nicht klein genug. In solchen Fällen kann der Decken Visualizer mit einem Standard Deckenhänger oder Projektorlift von der Decke abgehängt werden.



Zur Deinstallation des Gerätes lesen Sie bitte die Montageanleitung durch!

Verwenden Sie das Rechenprogramm auf der WolfVision Homepage um die exakte Position und Bildgröße zu berechnen:

Der Abstand wird von der Unterseite des Decken Visualizers zum Tisch gemessen. Diese Werte können geringfügig abweichen, da die Stellung des Fokus die Bildgröße beeinflussen kann. Ebenso sollte die Maskierung des Projektors oder Monitors berücksichtigt werden (unter "Maskierung" versteht man das leichte Beschneiden der Bildränder). Theoretisch sind auch höhere Abstände als 4000 mm möglich, jedoch mit den Nachteilen, dass das Bild zu groß und das Licht zu schwach werden würde.

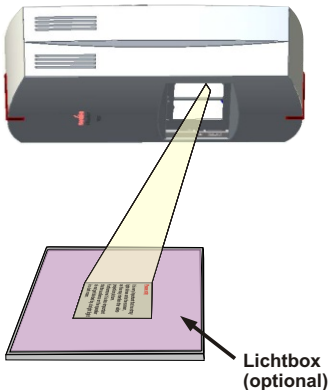
www.wolfvision.com/wolf/indexdistance_d.html

Synchronisiertes Lichtfeld

Bei Verwendung des Visualizer-Lichtes markiert ein synchronisiertes Lichtfeld den Aufnahmebereich der eingebauten Kamera auf der Arbeitsfläche. Das Lichtfeld dient zur einfachen Positionierung von Objekten auf der Arbeitsfläche.

Da die Kamera und der Lichtprojektor in einem bestimmten Winkel zueinander stehen, verschiebt sich das Lichtfeld nach rechts wenn sich der Abstand des aufgenommenen Objektes zum Gerät verkürzt (bei Aufnahme hoher Objekte). Das bedeutet, dass das Licht nicht mehr genau den Aufnahmebereich zeigt. In diesem Fall sollte das Licht des Visualizers mit der programmierten PRESET Taste (*LIGHT*) abgeschaltet werden um nur mit Raumlicht arbeiten zu können.

Arbeitsplatte / Lichtbox



Die Arbeitsplatte des Visualizers (#9) hat eine besondere kristallin-weiße Oberfläche, die speziell für die Wiedergabe von Folien ausgelegt ist.

Auch wenn Sie eine optionale Lichtbox besitzen, **wird empfohlen, das Oberlicht für Overheadfolien zu verwenden**. Sie erhalten eine bessere Farbqualität und haben den Vorteil des synchronisierten Lichtfeldes, das Ihnen den Aufnahmebereich der eingebauten Kamera zeigt.

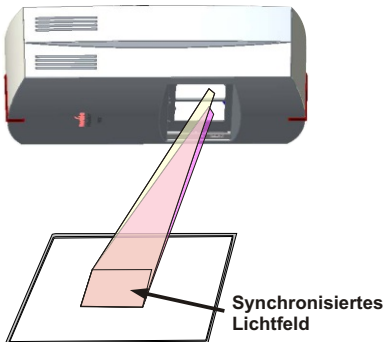
Für folgende Anwendungen empfiehlt sich jedoch die Verwendung einer optionalen Lichtbox:

- Wenn die Overheadfolien sehr dunkel sind wie z.B. Röntgenbilder
- Wenn die Overheadfolien sehr wellig sind und Reflexionen verursachen
- Wenn das Raumlicht Reflexionen auf der Overheadfolie verursacht

Wenn eine optionale Lichtbox verwendet wird, sollte das Licht des Visualizers abgeschaltet werden.

Der Gebrauch der Lichtbox hat den Nachteil, dass das synchronisierte Lichtfeld des Oberlichtes nicht mehr den Aufnahmebereich der eingebauten Kamera angibt.

Arbeiten auf der Arbeitsfläche



1. Platzieren Sie die zu präsentierende Vorlage auf der Arbeitsfläche. Ein **synchronisiertes Lichtfeld** auf der Arbeitsfläche zeigt den Aufnahmebereich der eingebauten Kamera. Legen Sie einfach das Objekt in den beleuchteten Bereich.
2. Wählen Sie die gewünschte Vergrößerung mit den ZOOM-Tasten (#25).
3. Falls notwendig, mit den FOCUS-Tasten (#31) die Schärfe einstellen.

Fokussierung / One-Push Autofokus



Beim Einschalten des Visualizers wird automatisch auf die Höhe der Arbeitsfläche fokussiert. Daher ist es nicht notwendig, die FOCUS-Tasten (#31) zu verwenden, wenn nur mit flachen Objekten (Texte, Fotos, etc.) gearbeitet wird.

Darüber hinaus ist es aufgrund der extrem hohen Tiefenschärfe der WolfVision Visualizer nur sehr selten notwendig, die Bildschärfe (Fokus) nachzustellen.

Nur bei sehr hohen Gegenständen ist dies notwendig..

Drücken der AF Taste (#30) aktiviert den **One-Push-Autofokus** (Scharfstellung auf Tastendruck). Bitte beachten Sie, dass kontrastschwache Objekte (wie z.B. ein leeres Blatt Papier) schwierig zu fokussieren sind.

Digitales Zoom

Der Visualizer verfügt über ein optische **16-fach** Zoom, der Zoombereich wird durch ein digitales **4-fach** Zoom auf ein **64-fach** Zoom erweitert. Bitte beachten Sie, dass im digitalen Zoombereich die Auflösung nicht mehr so hoch ist wie im optischen Zoombereich.

Bei Standardeinstellung erscheint eine Meldung am Bildschirm, sobald sich der Visualizer im digitalen Zoombereich befindet.

Auch Standbilder aus dem Bildspeicher können digital eingezoomt werden.

Sie können das Verhalten im digitalen Zoombereich im On-Screen Menü ändern (siehe Seite 15).

Auto Iris / Manuelle Iris (Blende)

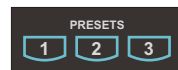


WolfVision Visualizer sind mit einer Auto Iris Funktion ausgestattet.

Das heißt, dass sich die Helligkeit des Kamerabildes immer automatisch einstellt. Durch Betätigen der IRIS-Tasten (#34) wird die Auto Iris Funktion abgeschaltet und somit kann die Iris manuell bedient werden.

Durch betätigen einer der ZOOM-Tasten (#25) wird die Auto Iris Funktion wieder eingeschaltet. Wenn die Iris nicht mehr weiter geschlossen werden kann, dimmt der Visualizer die Beleuchtung. Der Standard der Auto Iris Einstellung kann im On-Screen Menü heller oder dunkler gestellt werden - *siehe Seite 16 und On-Screen Hilfe.*

Preset Funktion



WolfVision Visualizer bieten die Möglichkeit, die augenblicklichen Einstellungen als Preset abzuspeichern und über die entsprechende PRESET-Taste (#27) der Fernbedienung wieder abzurufen.

Preset 1 kann auch durch Drücken der FREEZE-Taste (#33) für 2 Sekunden aufgerufen werden.

Um eine Preset-Einstellung zu programmieren, stellen Sie zuerst alle gewünschten Einstellungen ein und drücken dann eine der Preset-Tasten (#27) für mehr als 2 Sekunden. Am Bildschirm erscheint eine Meldung, sobald die Einstellungen übernommen wurden.

Zusätzlich können auch im On-Screen Menü bis zu drei unterschiedliche Height Adjustment Einstellungen (Höheneinstellungen) den Presets zugewiesen werden.

Im Gegensatz zu der hier erwähnten Preset Speicherung, bei der alle augenblicklichen Einstellungen wie Zoom, Focus, Iris etc. mitgespeichert werden, können den PRESET-Tasten auch einzelne Funktionen wie z.B.: "NEGATIVE", "NEGATIVE/BLUE", "BLACK/WHITE", "LIGHT" etc. im On-Screen Menü zugewiesen werden (*siehe Seite 16*).

Weißabgleich

WICHTIG

Eine korrekte Weißabgleich-Einstellung ist sehr wichtig für eine exakte Farb-Wiedergabe! Immer wenn sich die Lichtbedingungen ändern, muss die Kamera des Visualizers einen Weißabgleich durchführen um korrekte Farben wiedergeben zu können. Die Lichtbedingungen (Farbtemperatur) ändern sich z.B. wenn zwischen dem Licht des Visualizers und einer externe Lichtbox gewechselt wird, oder wenn die Raumbelichtung ein- bzw. ausgeschaltet wird.

Die Standardeinstellung des Visualizers ist Auto Tracking Weißabgleich. Das heißt, dass der Weißabgleich ständig automatisch nachjustiert wird.

Für einen exakten Weißabgleich sollten mindestens 10% des aufgenommenen Bildes weiß sein (die Messung erfolgt in der Bildmitte). Für eine präzise, fixe Weißabgleichseinstellung verwenden Sie den "One-Push"-Weißabgleich (=Weißabgleich auf Knopfdruck). Der "One-Push"-Weißabgleich wird durch Drücken der programmierten PRESET Taste (*LIGHT*) für 2 Sekunden ausgeführt. Nach Speichern des neuen Weißwertes erscheint eine Meldung auf dem Bildschirm und der "Auto Tracking" Modus wird abgeschaltet (nach Aus- und Einschalten des Gerätes wird "Auto Tracking" wieder aktiviert).

Normalerweise ist es nicht nötig, einen manuellen Weißabgleich durchzuführen. Wenn jedoch die Farben auf Ihrem Bildschirm falsch erscheinen, sollte ein manueller (One-Push) Weißabgleich durchgeführt werden:

Tipps beim Ausführen eines One-Push Weißabgleiches:

Oberlicht (Raumlicht): Zoomen Sie auf einen weißen Gegenstand (z.B. weißes Blatt Papier), bis das gesamte Bild weiß ist und drücken dann die programmierte PRESET Taste (*LIGHT*) für 2 Sekunden

Lichtbox mit Overheadfolien: Schalten Sie das Visualizer-Licht mit der programmierten PRESET Taste (*LIGHT*) aus und die Lichtbox ein. Entfernen Sie alles von der Arbeitsfläche und zoomen Sie auf die kleinste Bildgröße, bis das gesamte Bild weiß ist und drücken dann die programmierte PRESET Taste (*LIGHT*) für 2 Sekunden.

Lichtbox mit Röntgenbildern: Schalten Sie das Visualizer-Licht mit der programmierten PRESET Taste (*LIGHT*) aus und die Lichtbox ein. Positionieren Sie das Röntgenbild auf der Arbeitsfläche und zoomen Sie hinaus bis das gesamte Bild abgetastet wird und drücken dann die programmierte PRESET Taste (*LIGHT*) für 2 Sekunden.

Bitte beachten Sie: Falsche Farben können auch auf falsche Monitor- oder Projektor-Einstellungen zurückzuführen sein. Es wird empfohlen, zuerst beim Visualizer einen manuellen Weißabgleich durchzuführen und wenn dieser kein zufriedenstellendes Resultat liefert, die Einstellungen des Monitors oder Projektors zu überprüfen.

Für Spezialisten: Im On-Screen Menü des Visualizers (siehe Seite 16) kann zwischen den Weißabgleichs-Arten "Auto Tracking", "One Push" und "Manual" umgeschaltet werden. Wenn Sie mit Negativfilmen auf einer Lichtbox arbeiten, benutzen Sie einen leeren (dunklen) Teil des Filmes für den Weißabgleich. Der "One-Push"-Weißabgleich wird für das eingebaute Licht und ausgeschaltetem Visualizer Licht separat eingestellt und abgespeichert.

Bildspeicher für 9 Bilder



Schnellansicht von 9 gesp. Bildern

Sie können bis zu 9 Bilder einspeichern und diese durch kurzes Drücken einer der Nummern-Tasten (#36) der Fernbedienung abrufen:

<u>Speichern eines Bildes:</u>	Drücken Sie eine der Nummern-Tasten (#36) länger als 2 Sek.
<u>Aufrufen eines Bildes:</u>	Drücken Sie kurz die gewünschte Nummern-Taste (#36)

Durch Drücken der VIEW-Taste (#32) werden alle 9 Bilder als Split-Bild angezeigt. Durch Drücken der VIEW-Taste für 4 Sekunden wird im Bild ein Menü angezeigt, das Sie fragt, ob Sie alle gespeicherten Bilder löschen (erase) wollen, oder ob Sie den Bildspeicher (memory) mit "AUTO SNAPSHOT" (automatische Schnappschüsse) füllen wollen. Wenn Sie hier "AUTO SNAPSHOT" wählen, wird jede Sekunde ein Bild gespeichert bis der Speicher voll ist.

Das Verhalten beim Löschen von gespeicherten Bildern kann im On-Screen Menü geändert werden (manuell oder automatisch).

Snapshot-Taste

Durch Drücken der SNAPSHOT-Taste (#29) wird das aktuell angezeigte Bild im nächsten freien Bildspeicherplatz abgelegt. Sobald alle Speicherplätze belegt sind, erscheint die Meldung "Memory FULL!", "Hold SNAPSHOT to erase oldest". Durch gedrückt halten der SNAPSHOT-Taste für 2 Sekunden wird der "**Überschreibmodus**" aktiviert. Durch erneutes Drücken der SNAPSHOT-Taste werden die gespeicherten Bilder überschrieben.

Der Überschreibmodus wird durch gedrückt halten der SNAPSHOT-Taste für 2 Sekunden bzw. durch ausschalten des Gerätes de-aktiviert.

FREEZE

Drücken der FREEZE-Taste (#33) friert das aktuelle Bild ein.

Durch Drücken der FREEZE-Taste für 2 Sekunden wird der Preset 1 aufgerufen (*siehe Seite 9*).

Die DVI- und RGB-Ausgänge des Visualizers können unterschiedliche Signale ausgeben. Es ist möglich das Gerät so einzustellen, dass einer der beiden Ausgänge immer das Livebild der Visualizer Kamera zeigt, während der andere Ausgang ein eingefrorenes Standbild zeigt. Dies ermöglicht einen "Livebild - Standbild Vergleich" auf zwei Wiedergabegeräten mit nur einem Visualizer. Während ein Wiedergabegerät zu Vergleichszwecken ein Standbild zeigt, zeigt ein weiteres Wiedergabegerät das Livebild vom Visualizer.

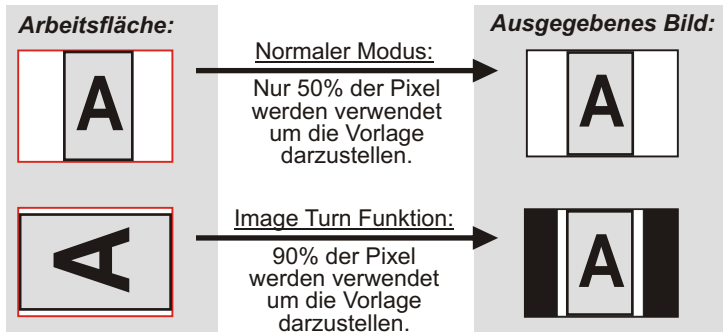


Text Modus (Kontrastanhebung für Text)

Um die Lesbarkeit von Texten, Zeichnungen und Röntgenbildern zu verbessern, kann durch Drücken der programmierten PRESET Taste (TEXT) die Kontrastanhebung eingeschaltet werden. Beachten Sie, dass in diesem Modus die Farben etwas **dunkler** dargestellt werden. Um die Kontrastanhebung wieder auszuschalten, drücken Sie die programmierte PRESET Taste (TEXT) erneut. Wenn der Text Modus aktiv ist, wird die Meldung "TEXT" im Bild angezeigt. Dies soll den Benutzer daran erinnern, den TEXT Modus wieder abzuschalten, wenn er nicht mehr benötigt wird.

Dies soll verhindern, dass Anwender versuchen, zu dunkle Farben durch Öffnen der Iris zu korrigieren. Denn das würde eine verfälschte Bildwiedergabe bewirken.

Bilddrehmodus "Image Turn" (für höhere Auflösung)



Die Abtastung einer hochformatigen A4 Seite (Portrait) war immer schon eine kritische Anforderung für einen Visualizer, da die Bildwiedergabe stets im Breitformat erfolgt. So konnten nur etwa 50% der Pixel der Kamera für die Abtastung der hochformatigen A4 Seite verwendet werden. WolfVisions **"Image Turn"** (Bildreh-) Modus löst dieses Problem. Platzieren Sie Ihre hochformatige Vorlage (z.B. Brief) einfach in horizontaler Richtung auf der Arbeitsfläche und zoomen Sie diese komplett ein. Nun werden ca. 90% der Pixel der eingebauten Kamera zur Abtastung der Vorlage verwendet. Durch Drücken der IMAGE TURN-Taste (#28) dreht der Visualizer das Bild elektronisch um 90° und sendet es mit einer **wesentlich höheren Auflösung** an das Ausgabegerät. Der rechte und linke Rand bleibt dabei schwarz.

Externer Eingang - EXTERN



Wenn ein Computer am **Externen RGB Eingang** (#22) des Visualizers angeschlossen ist, kann mit der **EXTERN**-Taste (#39) zwischen dem Visualizer Bild und dem Computer Bild umgeschaltet werden. Der Extern-Modus kann auch für nur einen Ausgang genutzt werden. Das Verhalten dieses Modus kann im On-Screen Menü geändert werden (siehe Seite 16). Der Visualizer hat einen eingebauten A/D-Wandler um das externe Signal zu digitalisieren und es im eingestellten Ausgangsformat auf allen Ausgängen auszugeben.

Bevorzugte Auflösung: VZ-C12²: SXGA- (1280x960) @60Hz
VZ-C32: XGA (1024x768) @60Hz.

Unterstützte Auflösungen: diverse Auflösungen im Bereich von VGA (640x480@60Hz) bis 1080p (1920x1080@60Hz) mit unterschiedlichen Vertikalfrequenzen in diesem Bereich.

Folgende Daten werden bereit gestellt:

Plug & Play Monitor VESA DDC

Monitor Name: "WolfVision"

Videoeingangsdefinition: Analog bei 0,7Vpp und separaten Synchronisationssignalen

Vertikalfrequenz Limit: 48Hz - 86Hz

Horizontalfrequenz Limit: 30kHz - 121kHz

Maximaler Pixel Clock = 170MHz

Gamma=2.2

Bevorzugte Auflösung: VZ-C12²: SXGA- (1280x960) @60Hz

VZ-C32: XGA (1024x768) @60Hz

Ethernet / LAN -Anschluss

10BASE-T/100Base-TX

Mit Hilfe der LAN-Verbindung (#20) kann der Visualizer über das Netzwerk gesteuert werden. Es können Bilder übertragen, Firmware Updates und Statusabfragen durchgeführt und E-Mail Benachrichtigungen versendet werden.

Folgende Protokolle werden unterstützt: TCP/IP, ICMP und ARP.

Unterstützte Browser: Internet Explorer, Netscape Navigator und Mozilla/Firefox.

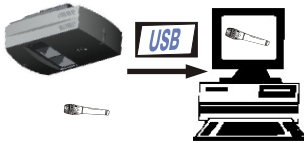
Standardmäßig ist DHCP aktiviert um die Netzwerkeinstellungen automatisch zu beziehen.

Die maximale Auflösung der Übertragung von Einzelbildern: SXGA- (1280x960)

Nähere Informationen finden Sie in der separaten ETHERNET / LAN Beschreibung auf

WolfVisions Homepage: www.wolfvision.com/support (und auf der mitgelieferten CD-ROM).

USB-Anschluss



Der USB-Anschluss (#21) des Visualizers kann verwendet werden um Standbilder auf einen Computer zu übertragen und diese im JPG, TIF oder BMP Format zu speichern. WolfVision Visualizer sind mit einem schnellen USB 2.0 Anschluss ausgestattet. Dadurch können Bilder in einem Bruchteil einer Sekunde auf einen Computer übertragen werden. Somit kann er wie ein Scanner für 3-dimensionale Objekte verwendet werden.

Auch langsamere Computer mit dem älteren USB 1.1 Standard können problemlos verwendet werden. Auch hier wird nur ein Bruchteil der Zeit benötigt, die ein Desktop Scanner braucht, um ein Bild einzulesen.

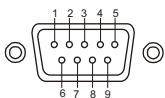
WolfVisions Connectivity Software arbeitet unter Windows 2000, XP und Vista bzw. Apple Macintosh OS 10.2 (oder höher) und ist voll Twain kompatibel. Dies ist sehr wichtig, wenn der Visualizer mit populären Grafikanwendungen wie Photoshop verwendet wird oder wenn er an Interaktiven Whiteboards (Smart Boards) angeschlossen wird.

Über den schnellen USB 2.0 Anschluss können auch bewegte Bilder ausgegeben werden. Die WolfVision Connectivity Software kann AVI-Dateien abspeichern und beinhaltet einen Video Capture Treiber. Damit kann das Livebild der Visualizer mit nahezu jedem modernen Videoschnittprogramm gespeichert werden.

Bitte downloaden Sie die aktuellste Version der WolfVision Connectivity Software von unserer Homepage unter: www.wolfvision.com/support-d

RS 232, Serieller Steuereingang

Mit dem RS-232 Anschluss (#19) kann der Visualizer über einen Computer bzw. eine Raumsteuerung eines Konferenzraumes gesteuert werden.



9-Pol D-Sub
Stecker am Gerät
(Ansicht von vorne)

Pins: 2: RX, 3: TX, 5: GND

Baud rate: 9200, 19200, 38400, 57600 oder 115200 (einstellbar)

Datenbit: 8, Stopbit: 1, Parität: keine

Die Baudrate kann im On-Screen Menü, Extra Menü eingestellt werden (siehe Seite 16).

Das komplette Serielle Protokoll finden Sie auf der WolfVision Homepage unter:
www.wolfvision.com/support-d

Auswahl des richtigen Ausgangs-Modus

Die DVI- und RGB-Ausgänge (#16, #18, #23 und #24) können folgende Signalfomate ausgeben:

- VGA (4:3 - 640x480 Pixel) bei 60Hz
- SVGA (4:3 - 800x600 Pixel) bei 60Hz, 75Hz oder 85Hz
- **XGA (4:3 - 1024x768 Pixel) bei 60Hz, 75Hz oder 85Hz**
- **tatsächliche Auflösung beim VZ-C32**
- **SXGA- (4:3 - 1280x960 Pixel) bei 60Hz oder 85Hz**
- **tatsächliche Auflösung beim VZ-C12²**
- SXGA (5:4 - 1280x1024 Pixel) bei 60Hz oder 75Hz
- SXGA+ (4:3 - 1400x1050 Pixel) bei 60Hz oder 75Hz
- UXGA (4:3 - 1600x1200 Pixel) bei 60Hz
- XGA 16:9 (spezielles Format für nicht HDTV-kompatible 16:9-Plasmas) bei 60Hz
- WXGA/60 (16:9 Widescreen - 1360x768 Pixel) bei 60Hz
- WSXGA+/60 (16:10 Widescreen - 1680x1050 Pixel) bei 60Hz
- **720p (16:9 Widescreen HD/HDTV - 1280x720 Pixel) bei 50Hz oder 60Hz**
- **tatsächliche Auflösung beim VZ-C12²**
- 1080p (16:9 Widescreen HD/HDTV - 1920x1080 Pixel) bei 50Hz oder 60Hz

Ab Werk ist die "Auto Resolution" Funktion aktiviert. Hier prüft der Visualizer ständig, welche Geräte am RGB- (#16, #18 und #24) und DVI-Ausgang (#23) angeschlossen sind und stellt automatisch den am besten geeigneten Standard für beide Ausgänge separat ein. Bitte beachten Sie, dass der Visualizer die mögliche Auflösung nicht feststellen kann, wenn die angeschlossenen Geräte oder Kabel* nicht "Plug and Play" kompatibel sind. Wenn der Visualizer die mögliche Auflösung der angeschlossenen Geräte nicht feststellen kann, wird die Auflösung automatisch auf den Standard von XGA/60Hz beim VZ-C32 und SXGA-/60Hz beim VZ-C12² gestellt.

(*Plug and Play kompatible Kabel haben an beiden Enden 15-Pol Stecker und alle Pins sind angeschlossen, Pin 9 wird nicht benutzt).

Falls "Auto Resolution" nicht benutzt werden kann, kann die Auflösung im On-Screen Menü des Visualizers manuell auf den gewünschten Wert gestellt werden (siehe Seite 16).

Um die bestmögliche Bildqualität zu erreichen, muss das beim Visualizer gewählte Signalfomate mit der tatsächlichen Auflösung (native Resolution) Ihres Ausgabegerätes (z.B. LCD/DLP-Projektor oder Monitor) übereinstimmen.

Wichtig: Ausschlaggebend ist die tatsächliche Auflösung des Projektors oder Monitors, nicht die maximale Auflösung die dieser (im komprimierten Modus) darstellen kann. Die tatsächliche Auflösung ist die effektive Pixel-Anzahl des eingebauten LCD-Displays oder des DLP-Chips Ihres Projektors oder Monitors. Die meisten LCD- oder DLP-Projektoren können auch höhere Bildauflösungen, welche ihre tatsächliche Pixel-Anzahl überschreiten, darstellen - jedoch nur im komprimierten Modus mit weit schlechterer Bildqualität.

Stellen Sie den Visualizer nicht auf ein Signalfomate ein, das höher ist als die tatsächliche Auflösung Ihres Projektors oder Monitors!

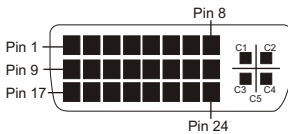
Wenn das Ausgabegerät ein Röhren-Monitor/-Projektor ist, verwenden Sie einen Ausgangsmodus mit 85 oder 75Hz, da bei 60Hz ein leichtes Bildflimmern sichtbar sein kann. Für LCD/DLP-Projektoren oder Monitore und Videokonferenzgeräte sind jedoch 60Hz die bessere Wahl. Bei Unklarheit lesen Sie bitte die Bedienungsanleitungen der angeschlossenen Geräte.

Wenn eine höhere Bildwiederholfrequenz als Ihr Monitor oder Projektor darstellen kann gewählt wird, kann Ihr Monitor oder Projektor beschädigt werden!

Beachten Sie hierzu die Hinweise in der Bedienungsanleitung des angeschlossenen Gerätes.

Bitte beachten Sie: Wenn 4:3 und 16:9 bzw. 16:10 Auflösungen gleichzeitig eingestellt sind, zeigt der 4:3 Ausgang oben und unten schwarze Balken damit bei allen Ausgängen derselbe Bildinhalt gezeigt wird.

DVI-I Anschluss



1 - T.M.D.S. Data2-	9 - T.M.D.S. Data1-	17 - T.M.D.S. Data0-
2 - T.M.D.S. Data2+	10 - T.M.D.S. Data1+	18 - T.M.D.S. Data0+
3 - T.M.D.S. Data2/4 Shield	11 - T.M.D.S. Data1/3 Shield	19 - T.M.D.S. Data0/5 Shield
4 - T.M.D.S. Data4- (*)	12 - T.M.D.S. Data3- (*)	20 - T.M.D.S. Data5- (*)
5 - T.M.D.S. Data4+ (*)	13 - T.M.D.S. Data3+ (*)	21 - T.M.D.S. Data5+ (*)
6 - DDC Clock	14 - +5V Power	22 - T.M.D.S. Clock+
7 - DDC Data	15 - Ground (return for +5V, HSync and Vsync)	23 - T.M.D.S. Clock-
8 - Analog Vertical Sync	16 - Hot Plug Detect	24 - Analog Vertical Sync
C1 - Analog Red	C2 - Analog Green	C3 - Analog Blue
C4 - Analog Horizontal Sync		
C5 - Analog Ground (analog R, G & B return)		

*...not used

Externer Infrarot (IR) Empfänger

WICHTIG

In manchen Räumen funktionieren die drei eingebauten Infrarot Empfänger nicht gut genug. In einem solchen Fall kann der mitgelieferte externe Infrarot Empfänger an die **IR-SENSOR** Buchse (#17) angeschlossen werden. Der externe Empfänger sollte irgendwo an der Decke (oder im Raum) platziert werden, wo der Benutzer normalerweise mit der Fernbedienung hinzielt.

Lichtbox (optional)

Wenn eine Lichtbox benutzt wird, sollte das Licht des Decken Visualizers mit der programmierten PRESET Taste (*LIGHT*) abgeschaltet werden. Der Gebrauch einer Lichtbox hat den Nachteil, dass das synchronisierte Lichtfeld des Visualizers nicht mehr den Aufnahmebereich der eingebauten Kamera angibt.

Für den Decken Visualizer empfiehlt sich die Verwendung der WolfVision Lichtbox LB-38.

Automatischer Lampenwechsler

Der Decken Visualizer ist mit einem automatischen Lampenwechsler ausgestattet. Bei Ausfall einer Lampe muss diese nicht sofort ersetzt werden. Durch den automatischen Lampenwechsler schaltet das Gerät automatisch auf die zweite Lampe (Ersatzlampe) um. Während diesem Vorgang erscheint die Meldung "Changing Lamp" am Bildschirm. Nach dem Einschalten des Gerätes überprüft der Visualizer, ob beide Lampen funktionieren. Ist eine Lampe defekt, erscheint ein paar Sekunden folgende Nachricht auf dem Bildschirm: "Lamp x blown". Dadurch wird verhindert, dass der Austausch der defekten Lampe vergessen wird.

Thermostat

Ist das Gerät überhitzt (z.B. abgedeckte Lüftungsschlitze), wird die Beleuchtung des Visualizers über einen Thermostat abgeschaltet. In diesem Fall Zu- und Abluft freilegen und das Gerät abkühlen lassen!

Die nachfolgenden Kapitel sind nur für technisch versierte Anwender: ON-SCREEN MENÜ (Kamera Menü) / ON-SCREEN HILFE

Für normale Standard Anwendungen des WolfVision Visualizers ist es nicht notwendig, im On-Screen Menü Einstellungen vorzunehmen. Unerfahrene Anwender sollten hier keine Änderungen durchführen.

Drücken Sie die MENU-Taste (#39) **eine Sekunde lang** um in das On-Screen Menü zu gelangen. Einstellungen können nun mit den 4 Menü-Navigations-Tasten (= *Nummern-Tasten mit den roten Pfeilen auf der IR-Fernbedienung #35*) vorgenommen werden. Bitte beachten Sie, dass einige Werte sicherheitshalber nur dann verändert werden können, wenn vorher der Menüpunkt "**Format Protect**" auf "OFF" gestellt wurde.

Wenn Sie weitere Informationen über eine Funktion im On-Screen Menü benötigen, dann setzen Sie den Cursor in die entsprechende Zeile und drücken die HELP-Taste (#37). Eine genaue Beschreibung der Funktion erscheint dann im Bild. Wenn Sie den gerade angewählten Menüpunkt auf den Standardwert zurücksetzen wollen, drücken Sie die Hilfe-Taste (#37) 2 Sekunden lang.

Durch Drücken der MENU-Taste für 4 Sekunden erscheint das Extra Menü. Im Extra Menü können Einstellungen wie Baudrate geändert werden.

Die einzelnen Funktionen des Menüs sind in dieser Anleitung nicht im Detail beschrieben, da die Hilfe-Funktion ein integrierter Bestandteil der Visualizer Software (Firmware) ist. Die im Bild eingeblendeten Hilfetexte entsprechen der installierten Gerätesoftware (Firmware) des Visualizers.

NEGATIV, NEGATIV/BLAU und SCHWARZ/WEISS Modus

Das vom Visualizer ausgegebene Bild kann im On-Screen Menü von Positiv auf Negativ umgeschaltet werden. Zusätzlich kann der Hintergrund einer negativen Vorlage zur besseren Lesbarkeit Blau dargestellt werden. Auch Schwarz/Weiß Darstellungen sind über das On-Screen Menü möglich.

TIPP: Wenn Sie die Bilddarstellungen "NEGATIVE", "NEGATIVE/BLUE" oder "BLACK/WHITE" öfters benötigen, können Sie diese Funktion auch einer Preset-Taste zuteilen. So können Sie das Aufrufen des On-Screen Menüs vermeiden.

Ändern der Standard Kontrast (Farb) Einstellungen

Falls Ihnen das Bild auf Ihrem Bildschirm zu dunkel erscheint, können Sie den grundlegenden Kontrast des Bildes in den "Color settings" des On-Screen Menüs verändern. Diese Einstellungen können für den Normalen Modus und für den Text Modus separat eingestellt werden.

Auto Power off - Automatische Abschaltfunktion

Im Menüpunkt "Power control", kann die automatische Abschaltfunktion aktiviert werden. Sobald der Visualizer für die Dauer der voreingestellten Zeit nicht benutzt wird, schaltet er automatisch in den Bereitschaftsmodus (Standby).

Preset Settings (Preset Einstellung)

Im Menü "Preset Settings" können den Preset Tasten auch spezielle Funktionen wie "NEGATIVE/BLUE", "BLACK/WHITE", "LIGHT" etc. zugewiesen werden.

Zurücksetzen von ON-SCREEN Menü-Einstellungen

Alle Einstellungen im On-Screen Menü können auf die Werkseinstellungen zurückgesetzt werden. "Reset" ist ein Punkt im On-Screen Menü (*Alternativ halten Sie beide FOCUS Tasten (#31) gleichzeitig für 2 Sekunden gedrückt und drücken Sie dann die MEMORY 4 (#36) Taste*). Wenn Sie nur den gerade angewählten Menüpunkt auf den Standardwert zurücksetzen wollen, drücken Sie die HELP-Taste (#37) 2 Sekunden lang!

WARTUNG

Austausch der Lampen

Die Lampe abkühlen lassen oder mit einem Tuch anfassen um Verbrennungen zu vermeiden!

Beim Einsetzen einer neuen Lampe Fingerabdrücke am Lampenkolben vermeiden!

1. Gerät ausschalten (#12) und Netzkabel abziehen (#15)!
2. Den Auslöseknopf drücken und das Gerät nach unten klappen. (siehe Abb. 1 und Abb. 2)
3. Den Schnellverschluss drehen und die Lampenabdeckung hochklappen. (siehe Abb. 2)
4. **ACHTUNG: LAMPE KANN SEHR HEISS SEIN!**
Tauschen Sie die defekte Lampe (oder beide) (siehe Abb. 3)
5. Um das Gerät wieder Hochklappen zu können, muss der Sicherheitsverriegelungsmechanismus rausgezogen und gegen den Uhrzeigersinn gedreht werden (siehe Abb. 2)

Lampentyp: Halogen long life Lampe 24V/150W mit 300 h durchschnittlicher Lebensdauer.
WolfVision Artikelnummer: 100814

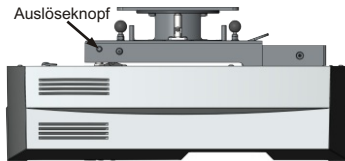


Abb. 1

ACHTUNG!
Quetschgefahr!

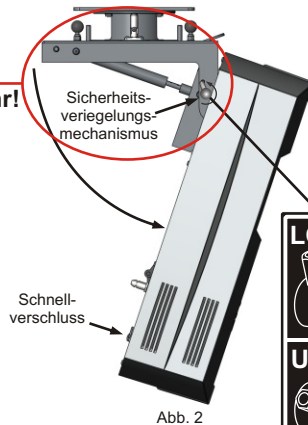


Abb. 2

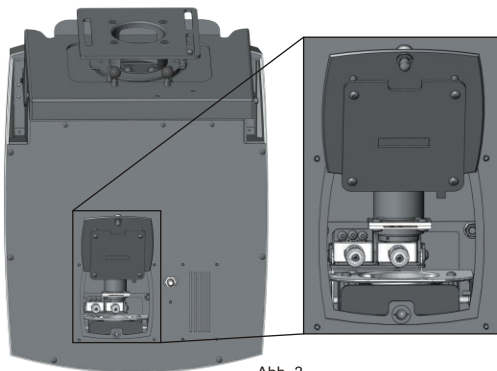
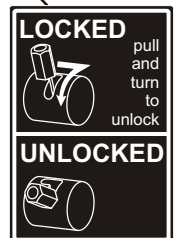


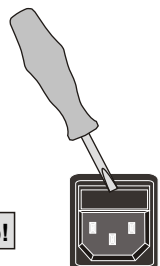
Abb. 3

Austausch der Sicherungen

Ziehen Sie das Netzkabel (#15) vor dem Tausch der Sicherungen!
Die Sicherungen (#14) befinden sich hinter einer Abdeckung über dem Netzanschluss. Die Abdeckung kann mit einem Schraubendreher (etc.) einfach geöffnet werden. Die Sicherungen sind vorsichtig in den Sockel einzulegen und der Sockel muss korrekt in den Halter gesteckt werden.

Sicherungs-Typ: T 3,15A. Verwenden Sie ausschließlich diesen Typ!

Falls die ersetzte Sicherung beim Einschalten erneut durchbrennen sollte, kontaktieren Sie bitte Ihren WolfVision Visualizer Händler!



Reinigung

WICHTIG

Gehäuse: Staub und Schmutz mit einem weichen Tuch abwischen.

Abdeckglas: Staub und Schmutz mit einem weichen fusselfreien Tuch abwischen (keine Papiertücher!). Normalerweise reicht eine Trockenreinigung (ggf. zusammen mit Anhauchen oder mit einem speziellen Optikreiniger).

Keine scharfen Reinigungsmittel wie Aceton, Benzin oder Ähnliches verwenden! Diese Substanzen können die Anti-Reflex-Beschichtung beschädigen!

Bitte beachten Sie, dass sich Staub auf den Spiegeln (#1, #2) und auf dem Abdeckglas nur gering auf die Bildqualität auswirkt, da Glas und Umlenkspiegel außerhalb des Schärfbereiches liegen.

ACHTUNG:

Um die Spiegel zu reinigen, muss das Gerät geöffnet werden! Dies darf nur durch WolfVision oder einen autorisierten Servicetechniker erfolgen da das Gerät nach der Reinigung möglicherweise neu abgeglichen werden muss.

Infrarot Fernbedienung

Bitte beachten Sie, dass eine IR-Fernbedienung nur bis zu einer gewissen Distanz zum Gerät einsetzbar ist. Gegenstände, welche die Sichtverbindung zwischen Fernbedienung und Visualizer verstellen sowie schwache Batterien beeinträchtigen die Steuerung.

Wenn der Visualizer nur noch aus nächster Nähe bzw. überhaupt nicht mehr mit der Fernbedienung zu steuern ist, müssen meist nur die Batterien ersetzt werden. Öffnen Sie händisch die Abdeckung der Fernbedienung auf der Rückseite und ersetzen Sie beide 1,5V AA Batterien durch neue.

Auf richtige Polung der Batterien achten!

Verbrauchte Batterien der Wiederverwertung zuführen!



hinten (offen)

Verschiedene IR-Codes

Wenn Sie mit mehreren Visualizern im selben Raum arbeiten möchten, dann sollten die Geräte auf unterschiedliche IR-Codes gestellt werden, um die Geräte einzeln ansteuern zu können.

Um den IR-Code zu ändern, muss im On-Screen Menü unter "Misc. Settings" der neue Code angewählt werden. Auf der Fernbedienung selbst ändern Sie den Code durch gleichzeitiges Drücken von **PRESET 1**, **PRESET 2 (#27)** und **ZOOM TELE (#25)**. Jedes Mal wenn diese Tastenkombination gedrückt wird, wechselt der Code von A zu B, C, D und A, usw. Mit der Tastenkombination **PRESET 1**, **PRESET 2** und **ZOOM WIDE** wird die Fernbedienung wieder auf Code A zurückgesetzt.

Die LED zeigt den gewählten Code durch Blinken an (einmal Blinken für Code A, zweimal für Code B, dreimal für Code C und viermal für Code D)

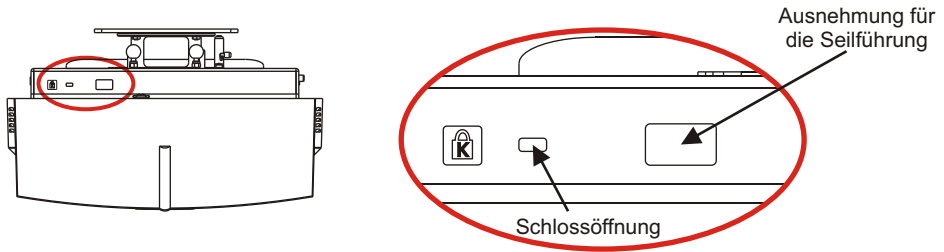
Firmware Updates

Die Firmware (Geräte-Software) Ihres Visualizers (inklusive On-Screen Hilfe-Texte) kann einfach auf die aktuellste Version aktualisiert werden. Die Firmware kann über die USB-, Ethernet- (LAN) oder RS232-Schnittstelle aktualisiert werden.

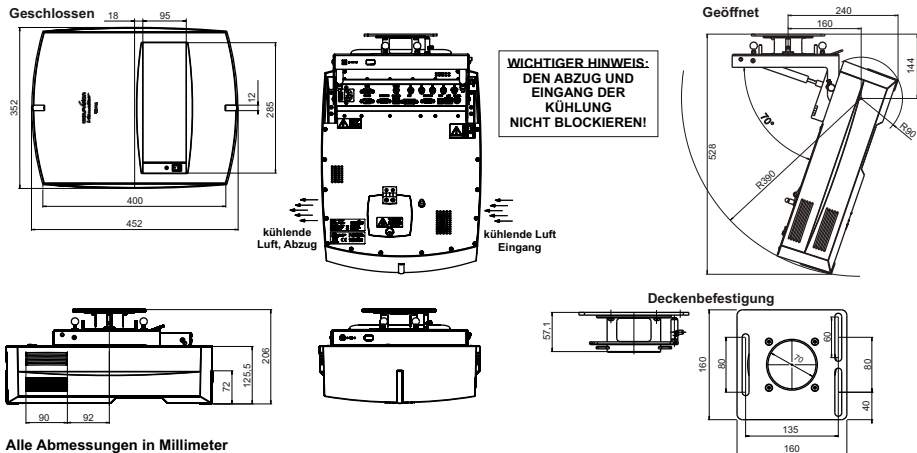
Firmwareupdates können gratis unter www.wolfvision.com/support herunter geladen werden. Für ein Update über USB / Ethernet/LAN benötigen Sie die WolfVision Connectivity Software und für ein Update über RS232 das WolfVision Firmware Update Utility. Beide Programme finden Sie ebenso auf der WolfVision Homepage.

Diebstahlschutz

Der Decken Visualizer kann mit einem Kabel T-Schloss (Kensington® Lock) vor Diebstahl geschützt werden. Folgen Sie den Anweisungen des Schloss-Herstellers.



Abmessungen



Alle Abmessungen in Millimeter

Technische Daten

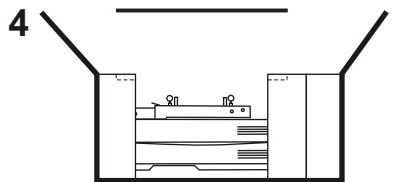
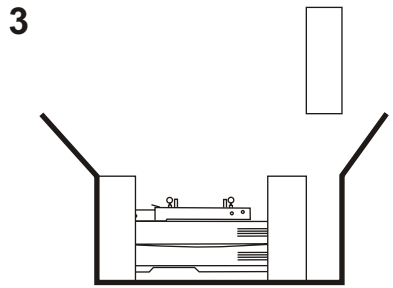
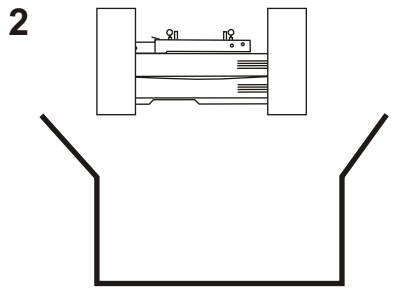
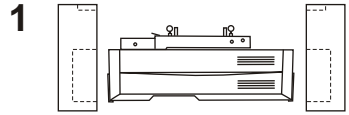
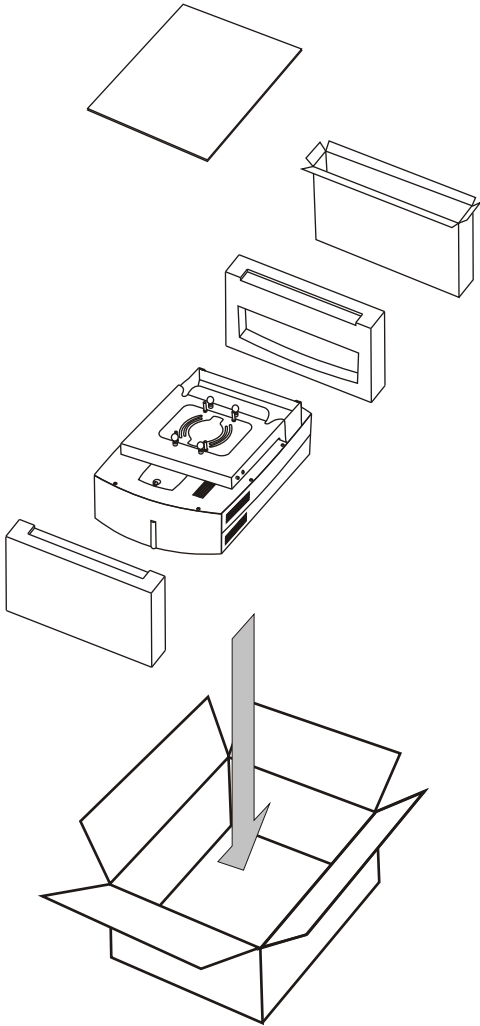
	VZ-C12 ²	VZ-C32
Kamera / Technologie (Signalformat)	1-CCD 1/3" Progressive Scan Kamera	3-CCD 1/3" Progressive Scan Kamera
Bilder pro Sekunde (von der Kamera aufgenommen)	30 Bilder (=Vollbilder)	
Effektive Pixel	1280 x 960 (=1.228.800)	3x 1024 x 768 (=2.359.296)
Gesamte Pixel auf dem CCD	1.315.648	2.550.000
Verarbeitete Pixel pro Sekunde (=effektive Pixel x Bilder pro Sekunde)	36.864.000	70.800.000
Farbwiedergabe (sRGB Farbpräzision)	sehr gute Farben	100% lebensechte Farben
Original Ausgangssignal der Kamera (Native)	SXGA- (1280x960) / HD 720p (1280x720)	3 x XGA (1024x768)
Ausgangssignal (native und skaliert)	HD/HDTV 1050p / HD/HDTV 720p / WSXGA+ / WXGA / UXGA / SXGA+ / SXGA / SXGA- / XGA / SVGA / VGA (umschaltbar), LAN, USB 2.0	
Auflösung (gemessen)	820 Linien	1000 Linien
Auflösung im Image Turn Mode (gemessen)	1050 Linien	1300 Linien
Image Turn Mode (für höhere Auflösung bei der Abtastung von kompletten Hochformatseiten)	ja / 90°, 180° und 270°	
Vertikale Bildfrequenz (Auflösungsabhängig)	Progressive Scan: 85, 75, 60 oder 50 Hz (umschaltbar)	
Horizontale Bildfrequenz (Auflösungsabhängig)	Progressive Scan: 31,5 - 91,1 Hz	
Iris (Blende)	automatisch und manuell	
Weißabgleich	automatisch und manuell	
Autofokus	One-Push-Autofokus (Fokussieren aufgrund der hohen Tiefenschärfe selten nötig)	
Manueller Fokus	ja	
Synchronisiertes Lichtfeld	ja (in der Größe der Aufnahmefläche der Kamera) mit 4:3 / 16:9 Umschaltung	
Text Enhancer (Kontrastanhebung für farbige Texte)	ja	
On-Screen Menü und On-Screen Hilfe	ja	
Firmware Updates	ja, via USB, seriell (RS232) oder Ethernet/LAN Anschluss	
Linse / Zoom	2 Telezoom Linsen 64x Zoom (16x optisch + 4x digital)	
Max. Objekthöhe auf der Arbeitsfläche	kein Limit (abhängig von der Montagehöhe)	
Max. Abtastbereich auf der Arbeitsfläche	abhängig von der Montagehöhe	
Max. Abtastbereich auf der Arbeitsfläche im Image Turn Modus	abhängig von der Montagehöhe	
Min. Abtastbereich auf der Arbeitsfläche	abhängig von der Montagehöhe	
Min. Abtastbereich auf der Arbeitsfläche mit Digitalzoom	abhängig von der Montagehöhe	
Tiefenschärfe bei kleinen Objekten (42 x 33 mm)	größer als 70mm	
Tiefenschärfe bei großen Objekten (360 x 270 mm)	größer als 250mm	
Schattenfrei Ausleuchtung / Ausleuchtung hohler Objekte	ja	
Störendes Streulicht / Blenden von Publikum oder Vortragenden	keines	
Lichtquelle	2 Stk. Standard Halogen Lampen (long life 24V / 150W), automatischer Lampenwechsler	
Software zur Bildspeicherung und Steuerung	inkludiert (für Windows und Macintosh, Twain kompatibel, mit Video Capture Treiber)	
Reflexionsfreier Bereich auf der Arbeitsfläche	gesamte Arbeitsfläche	
Anwenderprogrammierbare Presets	3 (plus 8 fixe Presets über RS232)	
Spezielle Arbeitsfläche für Overheadfolien	ja	
Unterlicht / Lichtbox / Dia Aufnahme	mit optionaler externer Lichtbox	
Externer Eingang für Computer / umschaltbar	ja (15-pol D-Sub Buchse), kann auch am DVI Ausgang ausgegeben werden	
Bildspeicher	9 Bilder, 1 Bild Freeze	
"Show All" Funktion (Anzeige von allen 9 gespeicherten Bildern als Split-Bild)	ja	
Alternative Bildanzeige	Negativ Bild / Negativ/Blau Bild / Schwarz/Weiß Bild	
RGB (=Daten RGB) Ausgang	3 (2x 15-pol D-Sub-Buchsen und 5x BNC)	
DVI Ausgang / HDMI Ausgang	DVI-I (analog und digital) / über ein DVI-HDMI Kabel	
USB Anschluss / Standard	USB 2.0 (voll kompatibel mit USB 1.1, aber mit geringerer Geschwindigkeit)	
RS232 Anschluss und serielles Protokoll mit absoluter Positionierung und Rückmeldung	ja, 9-pol Sub-D Stecker	
Ethernet (LAN) Anschluss	ja, IP-adressierbar, 10/100 Mbps	
Abmessungen (L x B x H)	452mm x 352mm x 206mm	
Gewicht	12kg	
Infrarot Fernbedienung	ja (mit Laserpointer)	
Externer IR-Empfänger	ja, mit 10m Kabel	
Diebstahlschutz	mit T-Lock (Kensington Lock®)	
Eingangsspannung / Leistungsaufnahme	multi range 100 - 240 VAC bei 150W	
Garantie	3 Jahre	
Hergestellt in	Austria (Europäische Union)	

Bitte beachten: Aufgrund von laufenden technischen Verbesserungen können sich die technischen Daten ändern!

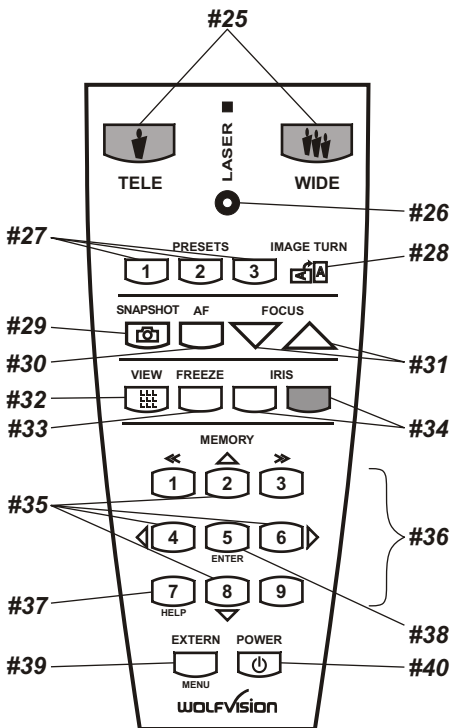
Verpackung / Transport

WICHTIG

Bitte vergewissern Sie sich vor dem Transport des Decken Visualizers, dass dieser wie unten abgebildet verpackt wurde. Dies ist sehr wichtig um eine Beschädigung empfindlicher Teile durch den Transport zu verhindern.



CODES - Tastenkombinationen



Preset speichern:

Drücken Sie die gewünschte **PRESET**-Taste (#27) für 2 Sekunden.

Aktivieren des On-Screen Menüs:

Drücken Sie die **MENU**-Taste (#39) (**EXTERN**-Taste) für 1 Sekunde um das On-Screen Menü zu aktivieren.

One-Push Autofokus (Autofokus auf Tastendruck):

Drücken Sie die **AF** Taste (#30).

Bilder speichern:

Drücken Sie die gewünschte **MEMORY**-Taste (#36) für 2 Sekunden.

Bildspeicher schnell füllen:

Durch Drücken der **SNAPSHOT** Taste (#29) wird das Bild im nächsten freien Speicher abgelegt (1-9).

Sobald alle Speicherplätze belegt sind, erscheint eine Bildschirmmeldung.

Drücken der **VIEW** Taste (#32) für mehr als 4 Sek.

Dann den Instruktionen des On-Screen Menüs folgen (Drücken Sie **MEMORY 1** (#36) für "Snapshot" oder **MEMORY 3** (#36) um den Bildspeicher zu löschen).

IR-Code ändern:

Ändern Sie im On-Screen Menü "Misc. Settings", den IR-Code (Code A ist Standard). Ändern Sie auch den Code der Fernbedienung durch gleichzeitiges Drücken der Tasten **PRESET 1**, **PRESET 2** (#27) und **ZOOM TELE** (#25) um den Code von A nach B, C, D ... A usw. zu schalten. Um die Fernbedienung auf Code A zurückzusetzen, drücken Sie die Tasten **PRESET 1**, **PRESET 2** (#27) und **ZOOM WIDE** (#25) gleichzeitig.

Auflösungseinstellungen:

Zurücksetzen auf AUTO:

Halten Sie beide **FOCUS** Tasten (#31) gleichzeitig für 2 Sekunden (max. 10sek.) gedrückt und drücken Sie dann die **MEMORY 5** (#36) Taste.

Wählen der nächst höheren Auflösung:

Halten Sie beide **FOCUS** Tasten (#31) gleichzeitig für 2 Sekunden (max. 10sek.) gedrückt und drücken Sie dann die **MEMORY 2** (#36) Taste. Die erste Auflösung nach AUTO ist VGA bei 60Hz.

Wählen der nächst niedrigeren Auflösung:

Halten Sie beide **FOCUS** Tasten (#31) gleichzeitig für 2 Sekunden (max. 10sek.) gedrückt und drücken Sie dann die **MEMORY 8** (#36) Taste.

Zurücksetzen auf Werkseinstellung:

Halten Sie beide **FOCUS** Tasten (#31) gleichzeitig für 2 Sekunden (max. 10sek.) gedrückt und drücken Sie dann die **MEMORY 4** (#36) Taste.

Demo-Modus starten:

Drücken der **POWER**-Taste (#40) für 2 Sekunden

CONTACTS

Manufacturer / Worldwide Distribution

WolfVision GmbH

A-6833 Klaus Tel: +43(5523)-52250, Fax: +43(5523)-52249
AUSTRIA E-Mail: wolfvision@wolfvision.com

International Distribution Offices

USA

WolfVision Inc.

Duluth Tel: +1(770)931-6802, Toll free: 877-873-WOLF, Fax: +1(770)931-9606
(Atlanta) E-Mail: usa.east@wolfvision.net

Burlingame Tel: +1(650)648-0002, Toll free: 800-356-WOLF, Fax: +1(650)648-0009
(San Francisco) E-Mail: usa.west@wolfvision.net

Asia

WolfVision Asia

Singapore Tel: +65(6366)-9288, Fax: +65(6366)-9280
E-mail: info@wolfvisionasia.com

Canada

WolfVision Canada Inc.

Ottawa Tel: +1(613)741-9898, Toll free: 877-513-2002, Fax: +1(613)741-3747
E-Mail: wolfvision.canada@wolfvision.com

Japan

WolfVision Co Ltd.

Tokyo Tel: +81(0)3-3360-3231, Fax: +81(0)3-3360-3236
E-mail: wolfvision.japan@wolfvision.com

United Kingdom

WolfVision UK Limited

Manchester Tel: +44(161)435-6081, Fax: +44(161)-435-6100
E-Mail: wolfvision.uk@wolfvision.com

Internet Homepage: www.wolfvision.com
E-Mail to technical support: support@wolfvision.com